

**NOTE:**

GENERAL CONSTRUCTION  
TOLERANCE: ± 5 mm [± 0.2"]

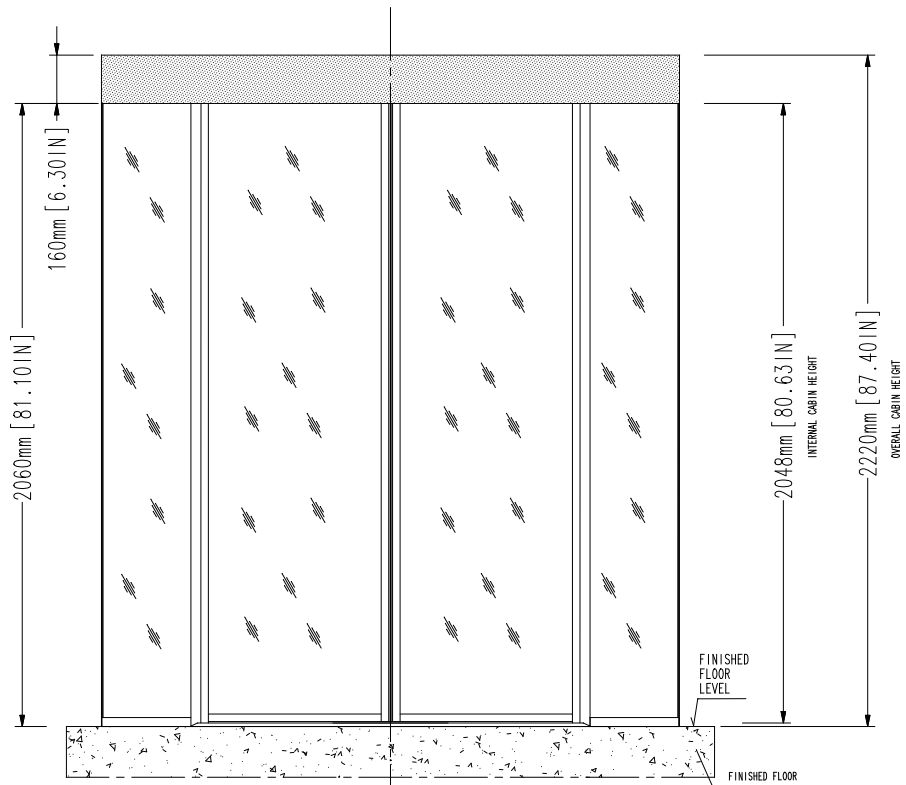
**INSTALLATION REQUIREMENT**

SPACE FOR MAINTENANCE  
ABOVE TOP OF THE CABIN ON  
THE INTERNAL SIDE:

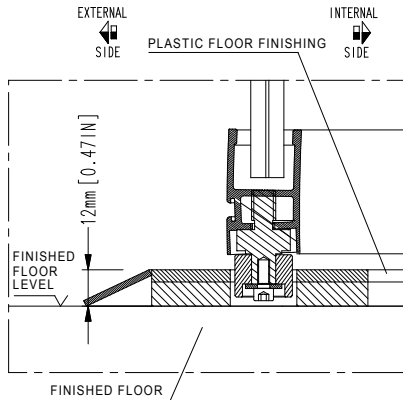
- \*MIN. 300 mm [11.81"]
- \*RECOMMENDED 750 mm [29.53"]

\*if space does not meet the  
required specifications contact  
us to discuss alternatives

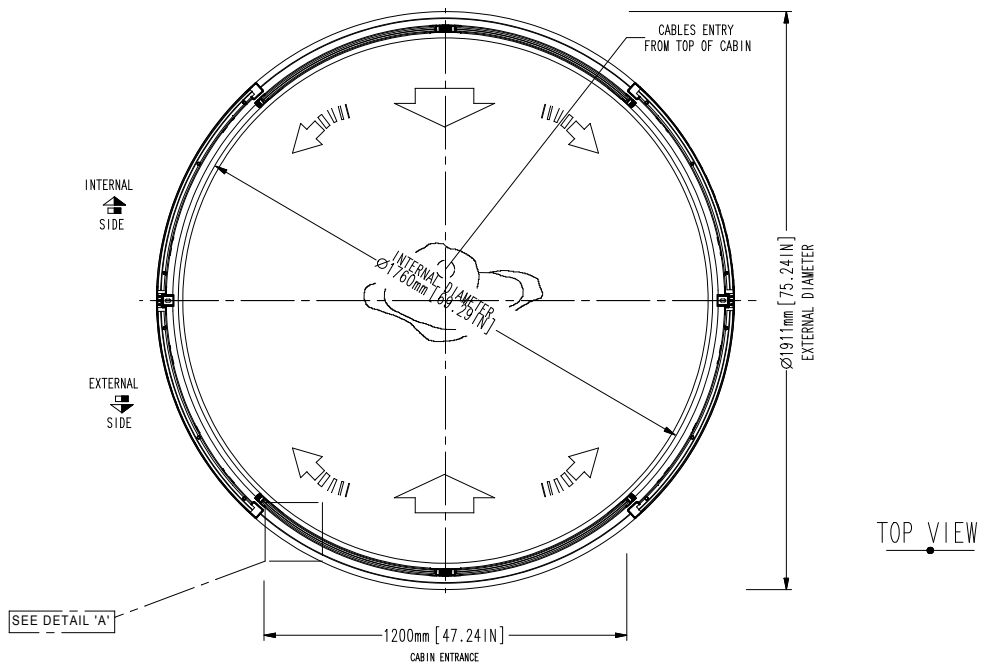
FRONTAL VIEW  
EXTERNAL SIDE




**DETAIL 'A'**



- NOTE:**
- unit must be installed on to a level floor (suggested flatness tolerance: ± 1 mm)
  - coating option: 2 mm thickness in addition to size



| REV | DATE | REVISION DESCRIPTION  | DRAWN BY   |
|-----|------|---|--|
|     |      | DESIGNED AND MANUFACTURED BY:   |  |
|     |      |  <p>designed for your security</p> | DISTRIBUTED BY:  |
|     |      |   |  |
|     |      |   |  |
|     |      | TITLE/DESCRIPTION   |  |
|     |      | <b>C190KR MY18 ENTRANCE=1200 MM</b>   |  |
|     |      |   | <p><i>Flush mounted to floor (no recess required)</i></p> <p><i>Overall dimensions and mechanical installation requirement</i></p> |

THIS DOCUMENT IS AN ALLUSER INDUSTRIE PROPERTY AND IT CANNOT BE COPIED OR TRANSFERRED TO THIRD PARTIES WITHOUT A PREVIOUS WRITTEN AUTHORIZATION. DUE TO OUR POLICY OF CONTINUOUS PRODUCT DEVELOPMENT, ALL DIMENSIONS AND SPECIFICATIONS DESCRIBED IN THIS DOCUMENT ARE SUBJECT TO CHANGE WITHOUT NOTICE.