

NOTE:

CONSTRUCTION TOLERANCES:

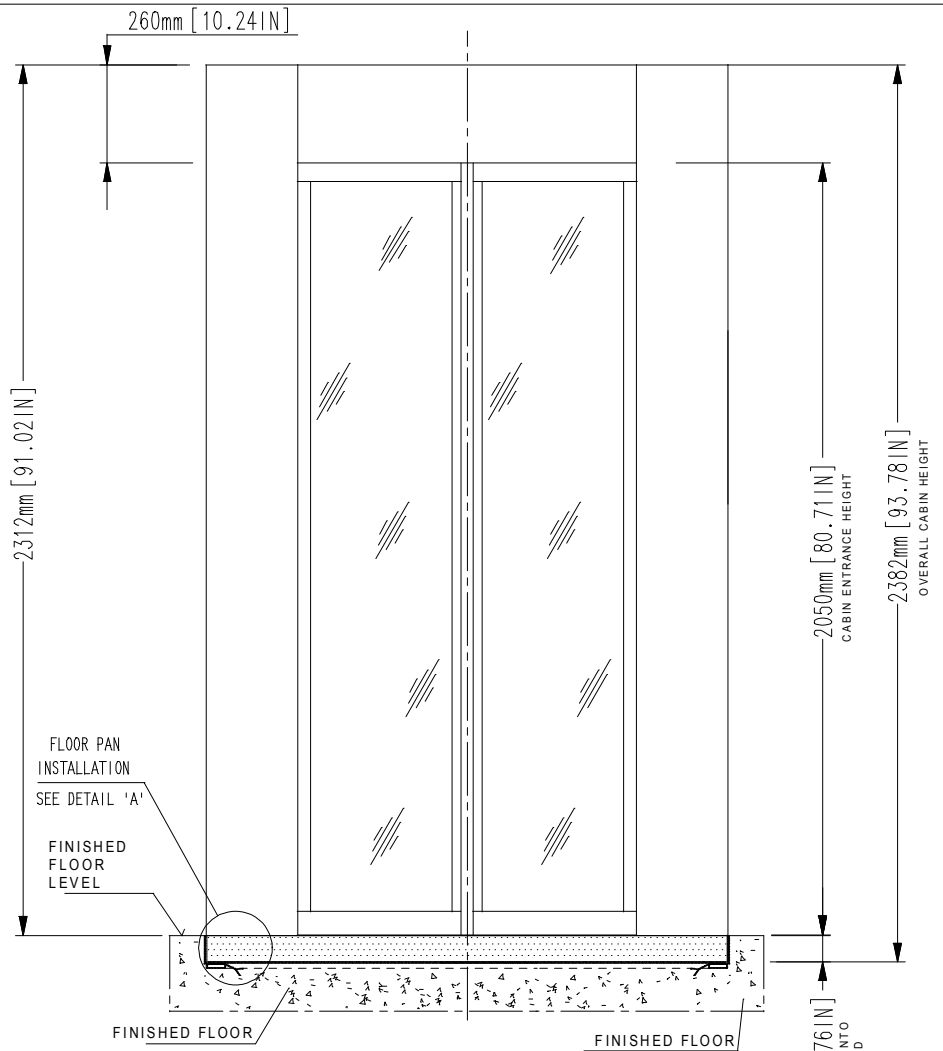
+10 mm OVERALL FOR WIDTH
+50 mm HEIGHT

INSTALLATION REQUIREMENT

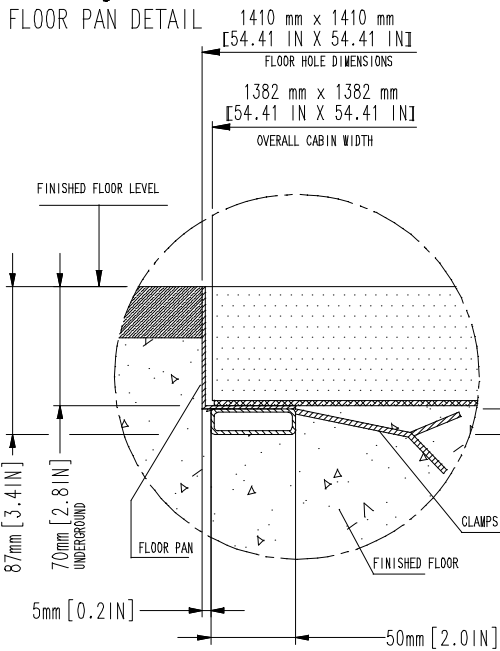
SPACE FOR MAINTENANCE
ABOVE TOP OF THE CABIN ON
THE INTERNAL SIDE:
-MIN. 300 mm [11.81"]
-RECOMMENDED 750 mm [29.53"]
-If space does not meet the required
specifications contact us to discuss
alternatives

-Unit must be fixed into suitable frame
and finished by others

FRONT VIEW
NON SECURE SIDE

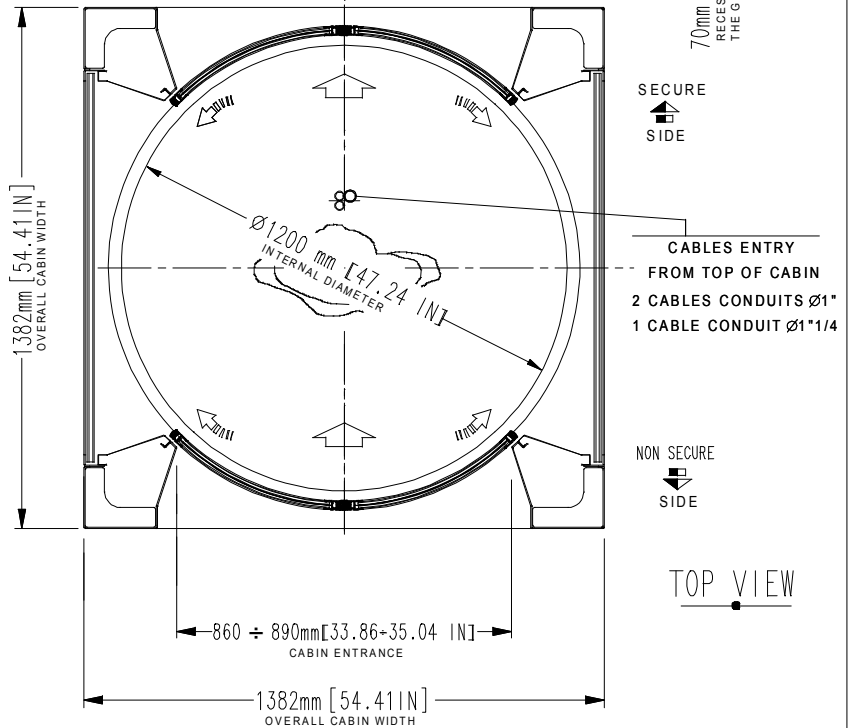


DETAIL "A"
FLOOR PAN DETAIL



NOTE:

- unit must be installed on to a level floor
(suggested flatness tolerance: ±1 mm)
- coating option: 2 mm thickness in
addition to size



REV	DATE	REVISION DESCRIPTION	DRAWN BY
DRAWN BY: L. BERTAZZO		DESIGNED AND MANUFACTURED BY:	DISTRIBUTED BY:
DATE: 07/12/2018		<p>designed for your security</p>	
DRAWING NUMBER: EARC459			
REVISION: 0		TITLE/DESCRIPTION	
SCALE: 1:20		E3-E3K MY16/4 DOORS	<i>Cabin recessed into the floor (ramp or floor pan required)</i>
PAGE 1 OF 1			<i>Overall dimensions and mechanical installation requirement</i>

THIS DOCUMENT IS AN ALLUSER INDUSTRIE PROPERTY AND IT CANNOT BE COPIED OR TRANSFERRED TO THIRD PARTIES WITHOUT A PREVIOUS WRITTEN AUTHORIZATION. DUE TO OUR POLICY OF CONTINUOUS PRODUCT DEVELOPMENT, ALL DIMENSIONS AND SPECIFICATIONS DESCRIBED IN THIS DOCUMENT ARE SUBJECT TO CHANGE WITHOUT NOTICE.