

**NOTE:**

**CONSTRUCTION TOLERANCES:**

+10 mm OVERALL FOR WIDTH  
+50 mm HEIGHT

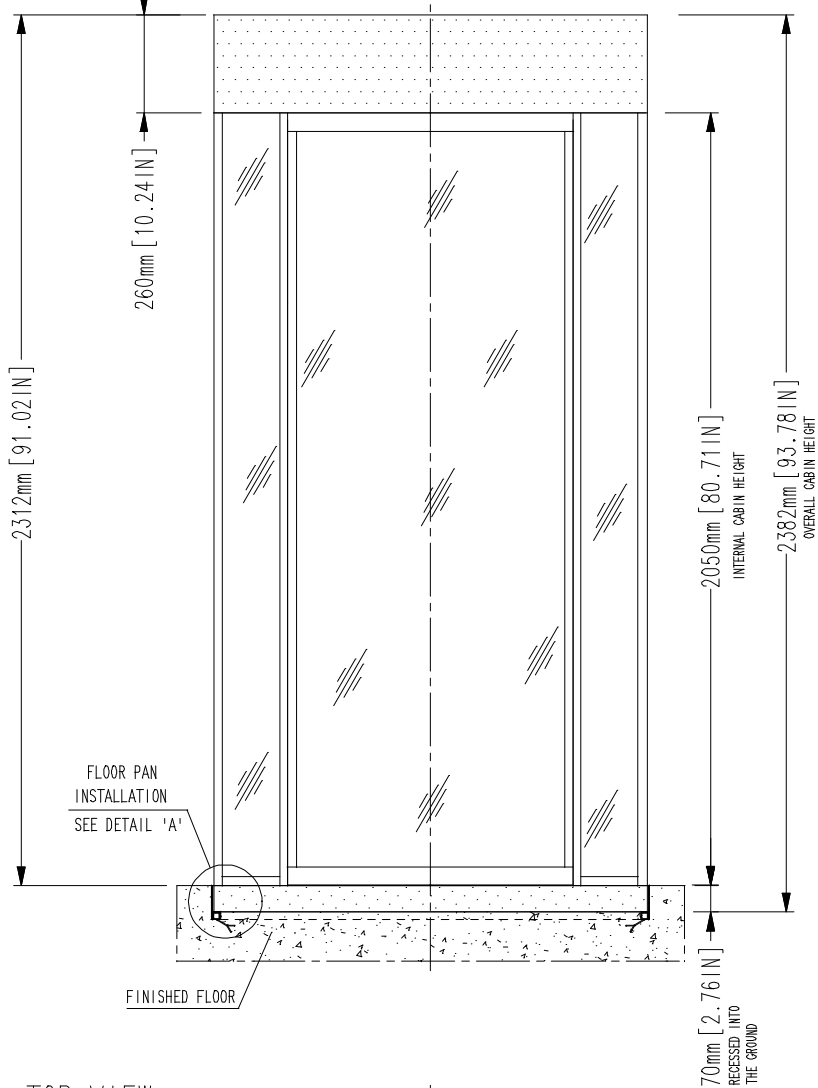
**INSTALLATION REQUIREMENT**

SPACE FOR MAINTENANCE  
ABOVE TOP OF THE CABIN ON  
THE INTERNAL SIDE:

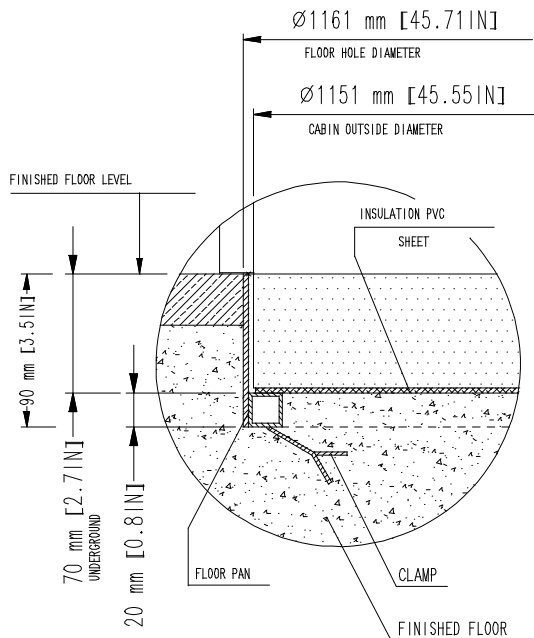
- MIN. 300 mm [11.81"]
- RECOMMENDED 750 mm [29.53"]
- If space does not meet the required specifications contact us to discuss alternatives

-Unit must be fixed into suitable frame and finished by others

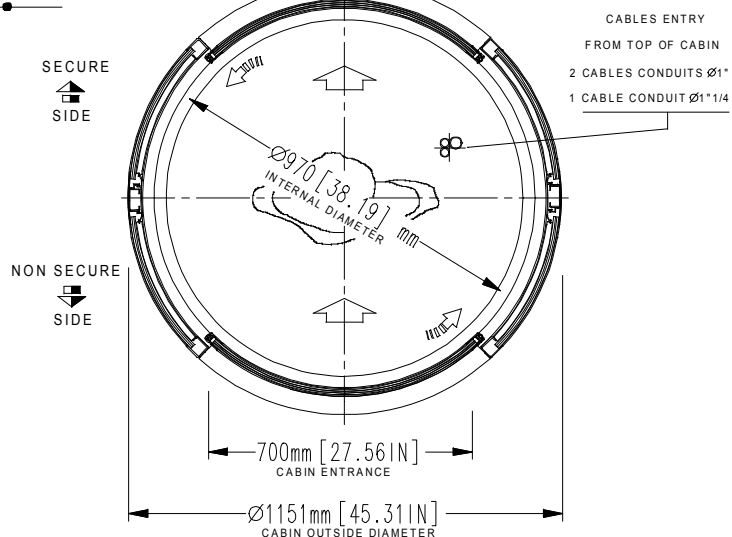
**FRONT VIEW**  
NON SECURE SIDE



**DETAIL 'A'**  
FLOOR PAN DETAIL



**TOP VIEW**



**NOTE:**

- unit must be installed on to a level floor (suggested flatness tolerance: ±1 mm)
- coating option: 2 mm thickness in addition to size

REV	DATE	REVISION DESCRIPTION	DRAWN BY
DRAWN BY: <b>L. BERTAZZO</b>		DESIGNED AND MANUFACTURED BY:	DISTRIBUTED BY:
DATE: 05/12/2018		 designed for your security	
DRAWING NUMBER: EARC450			
REVISION: 0	TITLE/DESCRIPTION		Cabin recessed into the floor (ramp or floor pan required) Overall dimensions and mechanical installation requirement
SCALE: 1:20	<b>C2 - C2K MY16</b>		
PAGE 1 OF 1			

THIS DOCUMENT IS AN ALLUSER INDUSTRIE PROPERTY AND IT CANNOT BE COPIED OR TRANSFERRED TO THIRD PARTIES WITHOUT A PREVIOUS WRITTEN AUTHORIZATION. DUE TO OUR POLICY OF CONTINUOUS PRODUCT DEVELOPMENT, ALL DIMENSIONS AND SPECIFICATIONS DESCRIBED IN THIS DOCUMENT ARE SUBJECT TO CHANGE WITHOUT NOTICE.