

**NOTE:**

GENERAL CONSTRUCTION  
TOLERANCE: ± 5 mm [± 0.2"]

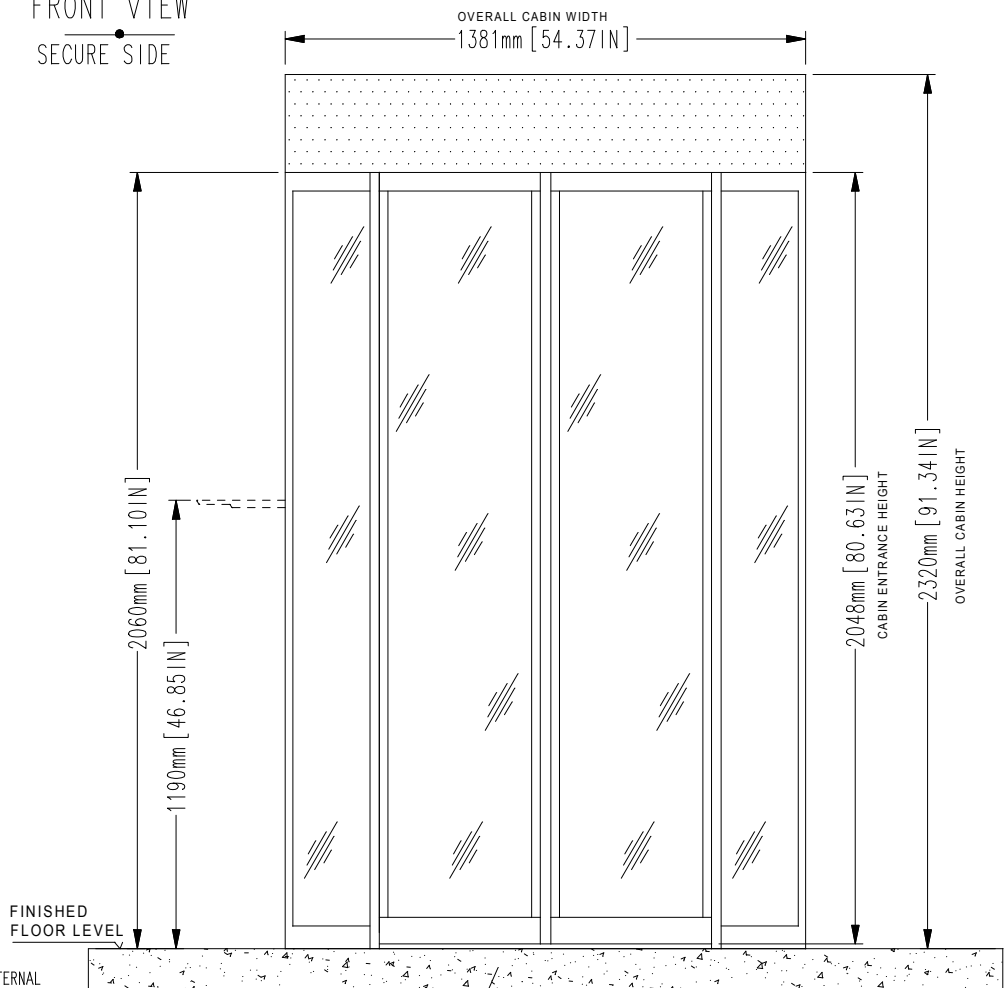
**INSTALLATION REQUIREMENT**

SPACE FOR MAINTENANCE  
ABOVE TOP OF THE CABIN ON  
THE INTERNAL SIDE:  
\*MIN. 300 mm [11.81"]  
\*RECOMMENDED 750 mm [29.53"]

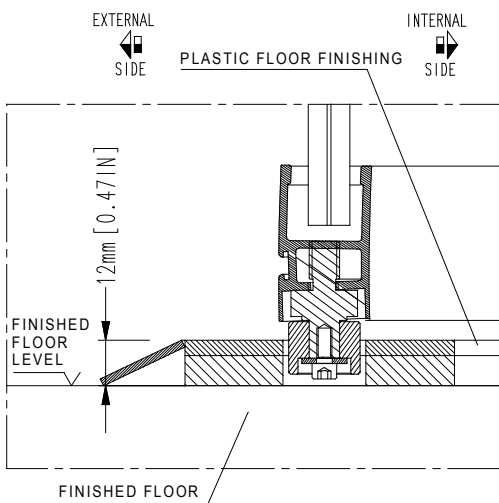
\*if space does not meet the  
required specifications contact  
us to discuss alternatives

**FRONT VIEW**

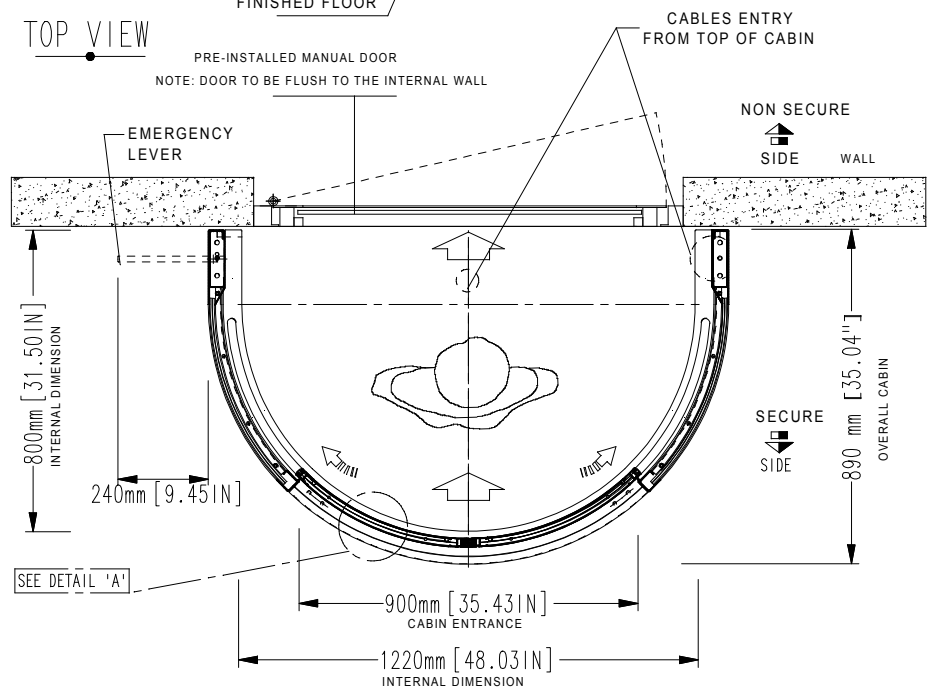
SECURE SIDE



**DETAIL 'A'**




**TOP VIEW**



**NOTE:**

- unit must be installed on to a level floor  
(suggested flatness tolerance: ±1 mm)

- coating option: 2 mm thickness in  
addition to size

3	30/06/2017	UPDATED FONT	loris
2	09/06/2017	TITLE BLOCK MODIFIED	loris
REV	DATE	REVISION DESCRIPTION	DRAWN BY
DRAWN BY: ISABELLA		DESIGNED AND MANUFACTURED BY:	DISTRIBUTED BY:
DATE: 22/01/2016		 <p>designed for your security</p>	
DRAWING NUMBER: EARC328			
REVISION: 3	TITLE/DESCRIPTION		<p><i>Flush mounted to floor (no recess required)</i></p> <p><i>Overall dimensions and mechanical installation requirement</i></p>
SCALE: 1:20	HPJ140 MY16		
PAGE 1 OF 1			

THIS DOCUMENT IS AN ALLUSER INDUSTRIE PROPERTY AND IT CANNOT BE COPIED OR TRANSFERRED TO THIRD PARTIES WITHOUT A PREVIOUS WRITTEN AUTHORIZATION. DUE TO OUR POLICY OF CONTINUOUS PRODUCT DEVELOPMENT, ALL DIMENSIONS AND SPECIFICATIONS DESCRIBED IN THIS DOCUMENT ARE SUBJECT TO CHANGE WITHOUT NOTICE.