

FRONT VIEW
SECURE SIDE

NOTE:

GENERAL CONSTRUCTION TOLERANCE: ± 5 mm [± 0.2 "]

INSTALLATION REQUIREMENT

SPACE FOR MAINTENANCE ABOVE TOP OF THE CABIN ON THE INTERNAL SIDE:

*MIN. 300 mm [11.81"]

*RECOMMENDED 750 mm [29.53"]

*if space does not meet the required specifications contact us to discuss alternatives

2060 [81.10] mm

1190 [46.85] mm

2048 [80.63] mm

CABIN ENTRANCE HEIGHT

2320 [91.34] mm

OVERALL CABIN HEIGHT

1910 [75.20] mm

OVERALL CABIN

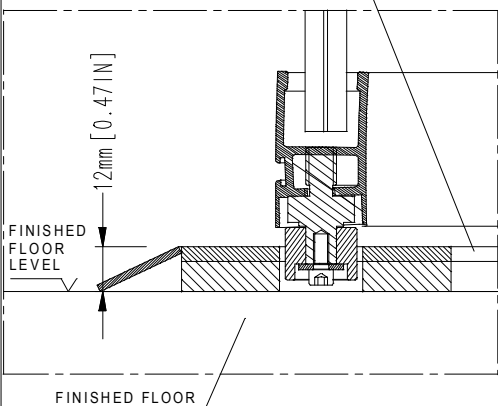
DETAIL 'A'

EXTERNAL SIDE

INTERNAL SIDE

PLASTIC FLOOR FINISHING

FINISHED FLOOR



TOP VIEW

EMERGENCY LEVER

GLASS

900 [35.44] IN

CABIN ENTRANCE

CABLES ENTRY FROM TOP OF CABIN

NON SECURE SIDE

GLASS

SPOT-LIGHTS

1040 [40.94] IN

INTERNAL DIMENSION

1250 [49.21] IN

OVERALL CABIN

SEE DETAIL 'A'

900 [35.43] IN

CABIN ENTRANCE

1740 [68.50] IN

INTERNAL DIMENSION

1910 [75.20] IN

SECURE SIDE

NOTE:

- unit must be installed on to a level floor (suggested flatness tolerance: ± 1 mm)

- coating option: 2 mm thickness in addition to size

4	14/02/2019	AMENDED DEPTH	ISABELLA
3	30/06/2017	UPDATED FONT	L.BERTAZZO
REV	DATE	REVISION DESCRIPTION	DRAWN BY
DRAWN BY: ISABELLA		DESIGNED AND MANUFACTURED BY: aalluser INDUSTRIE designed for your security	DISTRIBUTED BY:
DATE: 18/03/2016			
DRAWING NUMBER: EARC352			
REVISION: 4	TITLE/DESCRIPTION		<i>Flush mounted to floor (no recess required)</i> <i>Overall dimensions and mechanical installation requirement</i>
SCALE: 1:20	FPJ 190-2S MY16		
PAGE 1 OF 1			

THIS DOCUMENT IS AN ALLUSER INDUSTRIE PROPERTY AND IT CANNOT BE COPIED OR TRANSFERRED TO THIRD PARTIES WITHOUT A PREVIOUS WRITTEN AUTHORIZATION. DUE TO OUR POLICY OF CONTINUOUS PRODUCT DEVELOPMENT, ALL DIMENSIONS AND SPECIFICATIONS DESCRIBED IN THIS DOCUMENT ARE SUBJECT TO CHANGE WITHOUT NOTICE.