

FRONT VIEW
SECURE SIDE

NOTE:

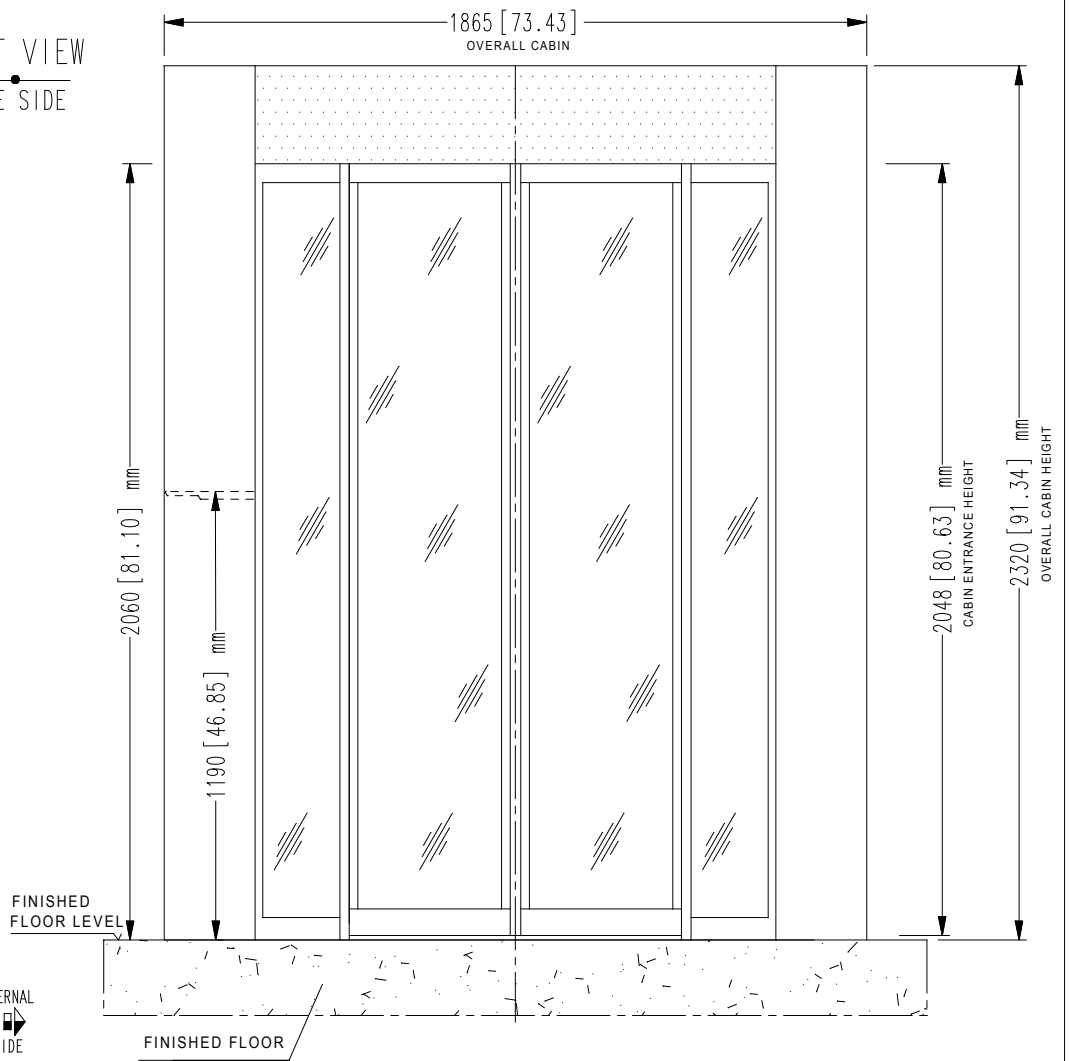
GENERAL CONSTRUCTION
TOLERANCE: ± 5 mm [± 0.2 "]

INSTALLATION REQUIREMENT

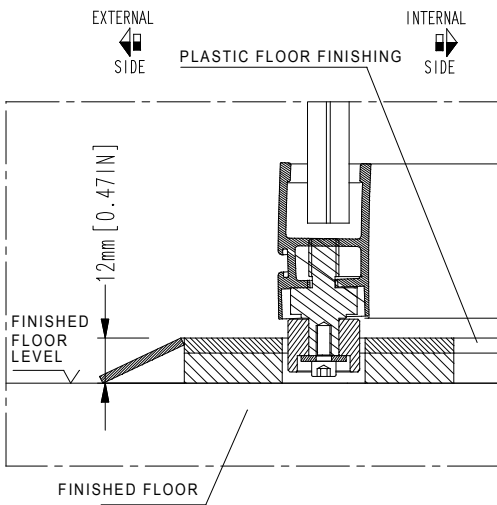
SPACE FOR MAINTENANCE
ABOVE TOP OF THE CABIN ON
THE INTERNAL SIDE:

- *MIN. 300 mm [11.81"]
- *RECOMMENDED 750 mm [29.53"]

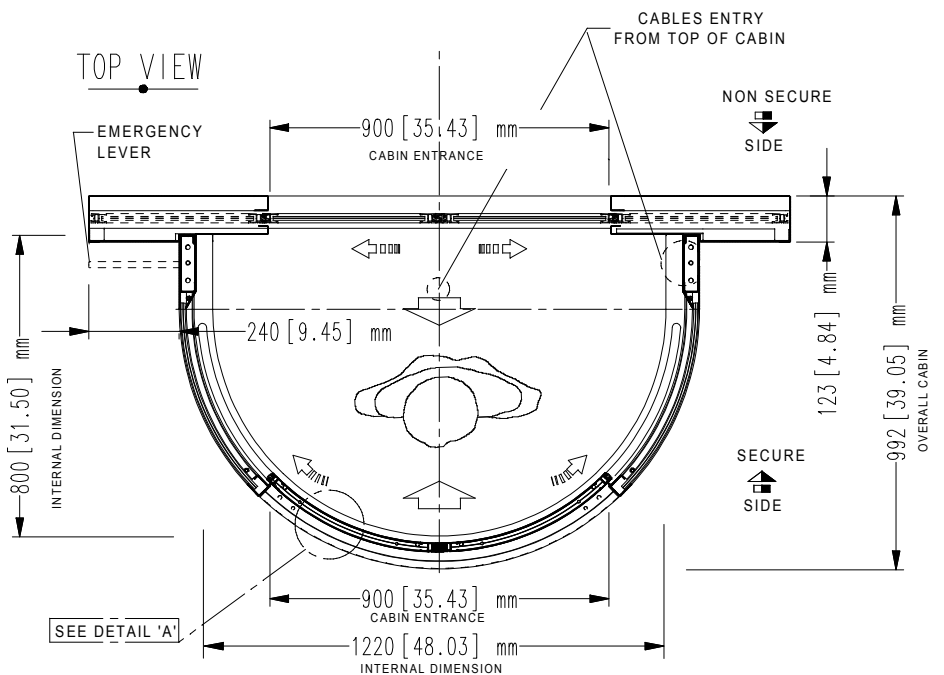
*if space does not meet the
required specifications contact
us to discuss alternatives



DETAIL 'A'



TOP VIEW



NOTE:

- unit must be installed on to a level floor
(suggested flatness tolerance: ± 1 mm)

- coating option: 2 mm thickness in
addition to size

3	30/06/2017	UPDATED FONT	L.BERTAZZO
2	09/06/2017	TITLE BLOCK MODIFIED	L.BERTAZZO
REV	DATE	REVISION DESCRIPTION	DRAWN BY
DRAWN BY: ISABELLA		DESIGNED AND MANUFACTURED BY: aalluser INDUSTRIE designed for your security	DISTRIBUTED BY:
DATE: 22/01/2016			
DRAWING NUMBER: EARC329			
REVISION: 3		TITLE/DESCRIPTION	<i>Flush mounted to floor (no recess required)</i> <i>Overall dimensions and mechanical installation requirement</i>
SCALE: 1:20		FPJ 140-2S MY16	
PAGE 1 OF 1			

THIS DOCUMENT IS AN ALLUSER INDUSTRIE PROPERTY AND IT CANNOT BE COPIED OR TRANSFERRED TO THIRD PARTIES WITHOUT A PREVIOUS WRITTEN AUTHORIZATION. DUE TO OUR POLICY OF CONTINUOUS PRODUCT DEVELOPMENT, ALL DIMENSIONS AND SPECIFICATIONS DESCRIBED IN THIS DOCUMENT ARE SUBJECT TO CHANGE WITHOUT NOTICE.