

FRONT VIEW
SECURE SIDE

NOTE:

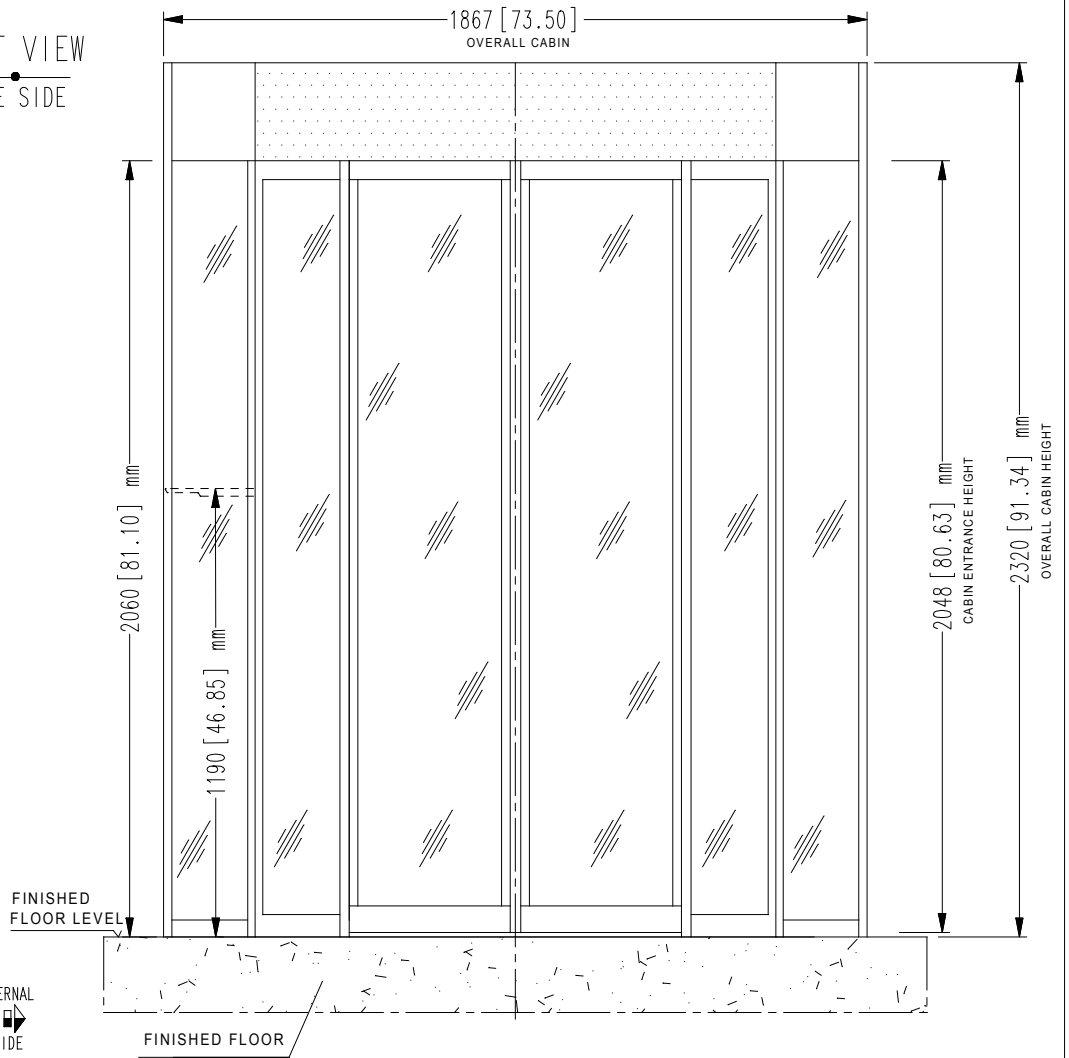
GENERAL CONSTRUCTION
TOLERANCE: $\pm 5 \text{ mm}$ [± 0.2 "]

INSTALLATION REQUIREMENT

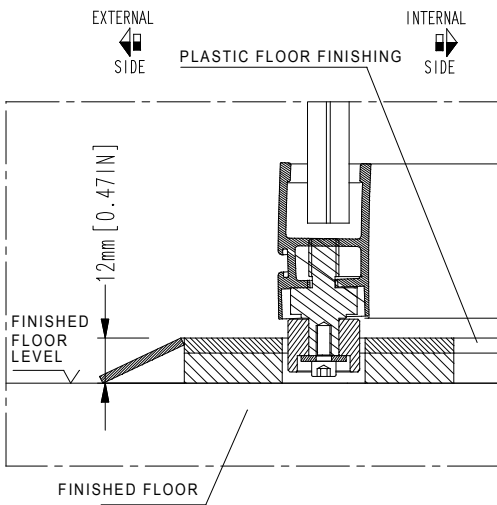
SPACE FOR MAINTENANCE
ABOVE TOP OF THE CABIN ON
THE INTERNAL SIDE:

- *MIN. 300 mm [11.81"]
- *RECOMMENDED 750 mm [29.53"]

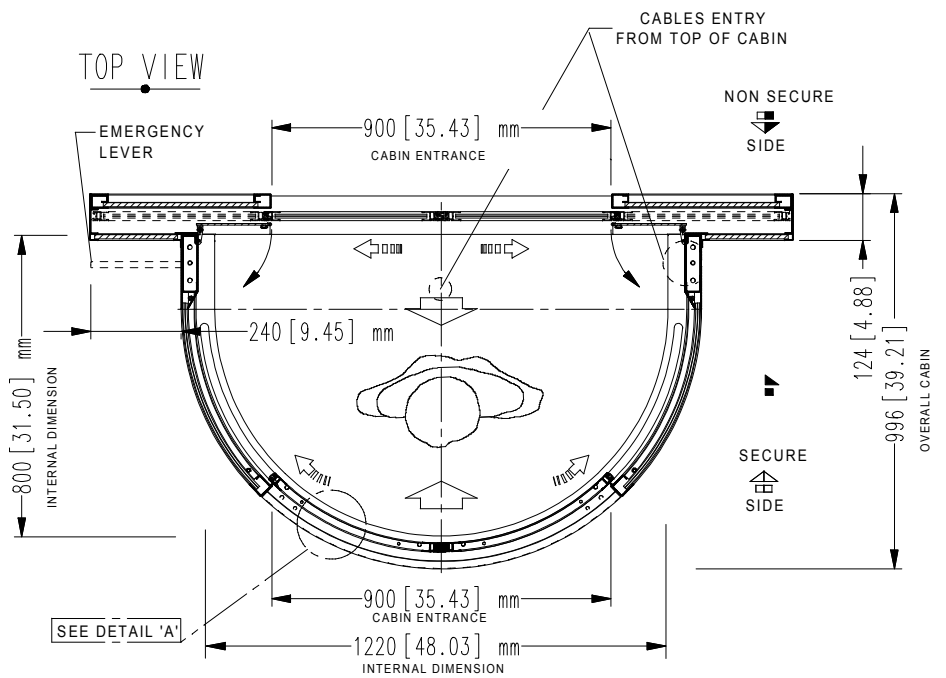
*if space does not meet the
required specifications contact
us to discuss alternatives



DETAIL 'A'




TOP VIEW



NOTE:

- unit must be installed on to a level floor
(suggested flatness tolerance: $\pm 1 \text{ mm}$)

- coating option: 2 mm thickness in
addition to size

REV	DATE	REVISION DESCRIPTION	DRAWN BY
DRAWN BY: ISABELLA		DESIGNED AND MANUFACTURED BY:	DISTRIBUTED BY:
DATE: 26/10/2017		 <p>designed for your security</p>	
DRAWING NUMBER: EARC395			TITLE/DESCRIPTION
REVISION: 0		<p>FPJ 140-2S MY16/GLASS</p>	
SCALE: 1:20			
PAGE 1 OF 1			

THIS DOCUMENT IS AN ALLUSER INDUSTRIE PROPERTY AND IT CANNOT BE COPIED OR TRANSFERRED TO THIRD PARTIES WITHOUT A PREVIOUS WRITTEN AUTHORIZATION. DUE TO OUR POLICY OF CONTINUOUS PRODUCT DEVELOPMENT, ALL DIMENSIONS AND SPECIFICATIONS DESCRIBED IN THIS DOCUMENT ARE SUBJECT TO CHANGE WITHOUT NOTICE.