

FRONT VIEW
SECURE SIDE

NOTE:

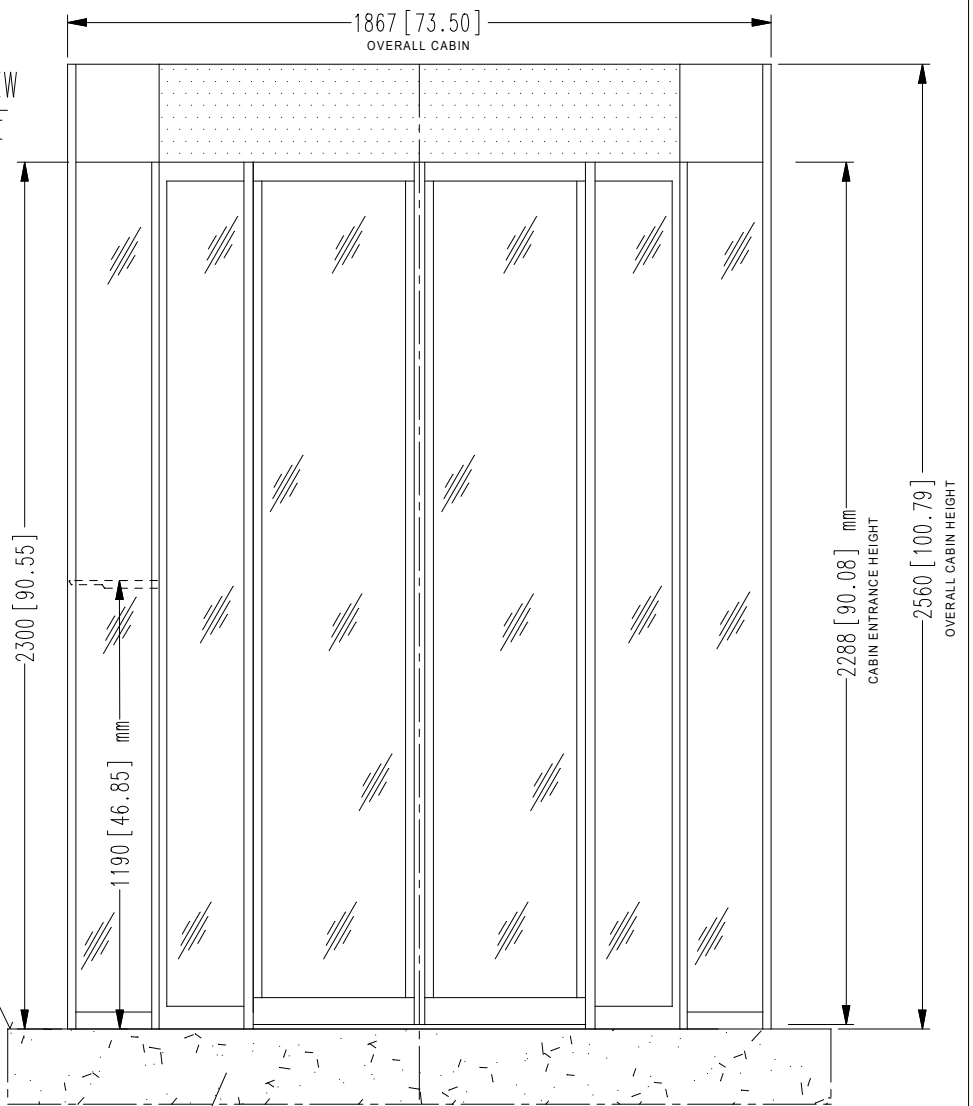
GENERAL CONSTRUCTION
TOLERANCE: ± 5 mm [± 0.2 "]

INSTALLATION REQUIREMENT

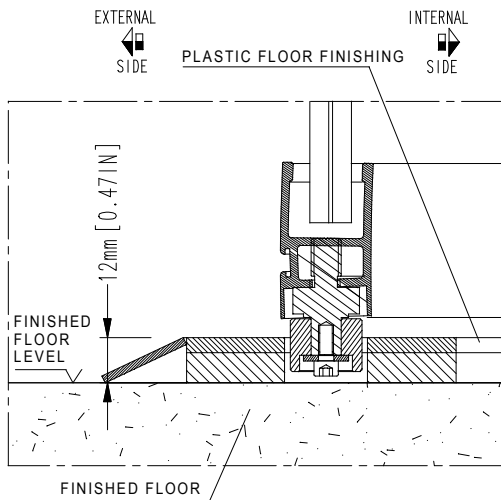
SPACE FOR MAINTENANCE
ABOVE TOP OF THE CABIN ON
THE INTERNAL SIDE:

- *MIN. 300 mm [11.81"]
- *RECOMMENDED 750 mm [29.53"]

*if space does not meet the
required specifications contact
us to discuss alternatives

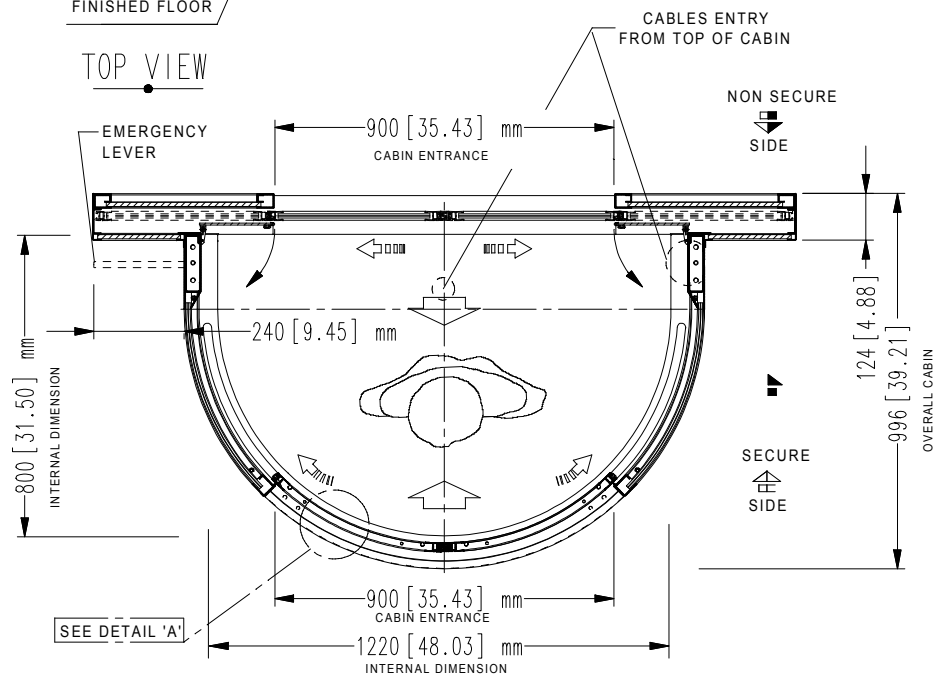


DETAIL 'A'



- NOTE:
- unit must be installed on to a level floor (suggested flatness tolerance: ± 1 mm)
 - coating option: 2 mm thickness in addition to size

TOP VIEW



REV	DATE	REVISION DESCRIPTION	DRAWN BY
DRAWN BY: L. BERTAZZO		DESIGNED AND MANUFACTURED BY: alluser INDUSTRIE designed for your security	DISTRIBUTED BY:
DATE: 02/11/2017		TITLE/DESCRIPTION FPJ 140-2S MY16/GLASS/HUC = 2300	<i>Flush mounted to floor (no recess required)</i> <i>Overall dimensions and mechanical installation requirement</i>
DRAWING NUMBER: EARC397			
REVISION: 0			
SCALE: 1:20			
PAGE 1 OF 1			

THIS DOCUMENT IS AN ALLUSER INDUSTRIE PROPERTY AND IT CANNOT BE COPIED OR TRANSFERRED TO THIRD PARTIES WITHOUT A PREVIOUS WRITTEN AUTHORIZATION. DUE TO OUR POLICY OF CONTINUOUS PRODUCT DEVELOPMENT, ALL DIMENSIONS AND SPECIFICATIONS DESCRIBED IN THIS DOCUMENT ARE SUBJECT TO CHANGE WITHOUT NOTICE.