

NOTE:

GENERAL CONSTRUCTION TOLERANCE: $\pm 5 \text{ mm}$ [$\pm 0.2''$]

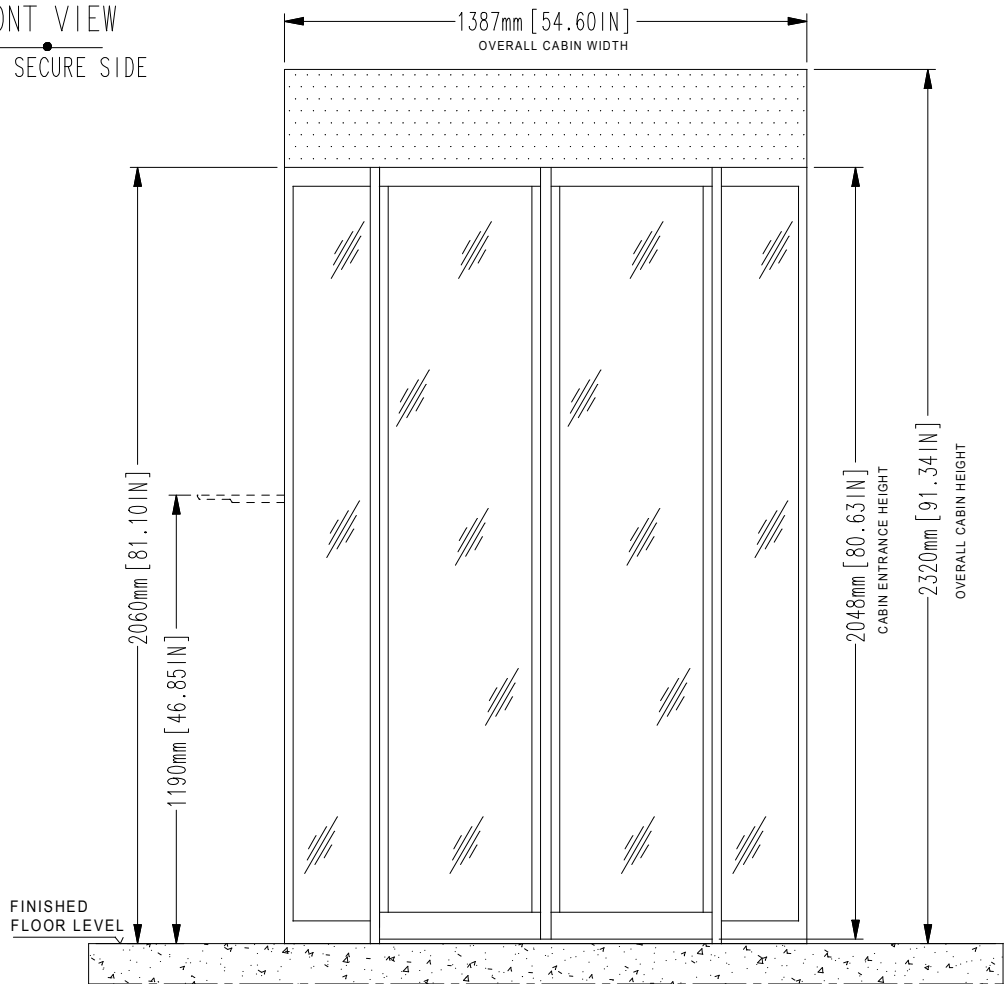
INSTALLATION REQUIREMENT

SPACE FOR MAINTENANCE ABOVE TOP OF THE CABIN ON THE INTERNAL SIDE:

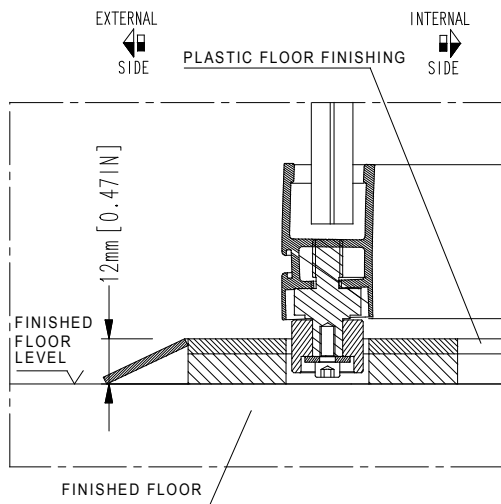
- *MIN. 300 mm [11.81"]
- *RECOMMENDED 750 mm [29.53"]

*if space does not meet the required specifications contact us to discuss alternatives

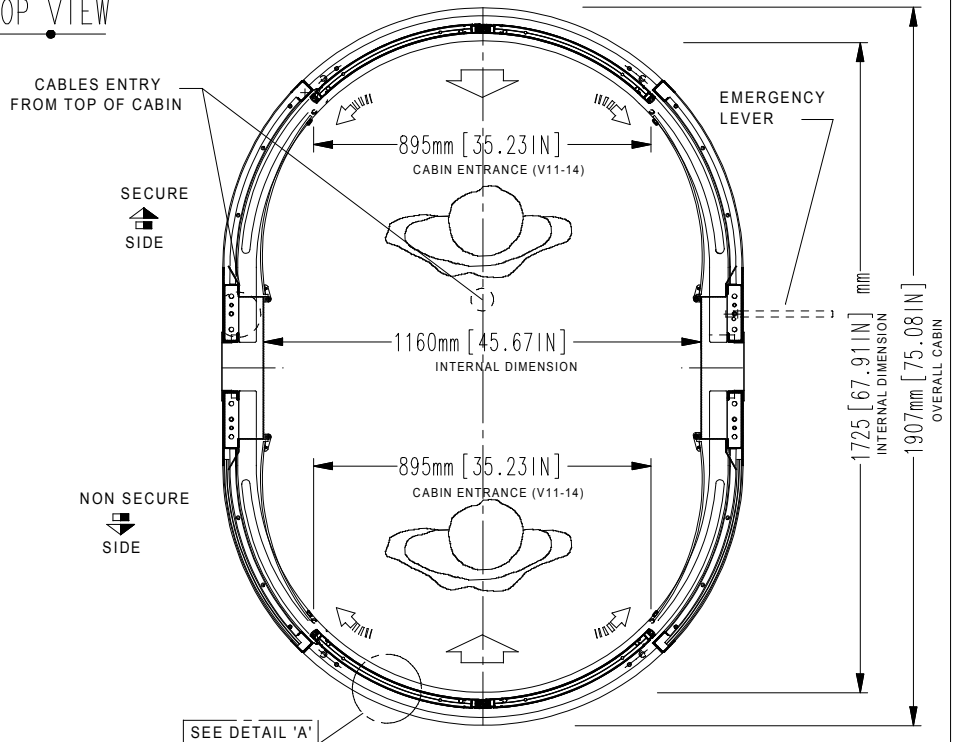
FRONT VIEW
NON SECURE SIDE



DETAIL 'A'



TOP VIEW



NOTE:

- unit must be installed on to a level floor (suggested flatness tolerance: $\pm 1 \text{ mm}$)
- coating option: 2 mm thickness in addition to size

1	30/06/2017	UPDATED FONT	L.BERTAZZO
REV	DATE	REVISION DESCRIPTION	DRAWN BY
DRAWN BY: ISABELLA		DESIGNED AND MANUFACTURED BY: aalluser INDUSTRIE designed for your security	DISTRIBUTED BY:
DATE: 07/06/2017			
DRAWING NUMBER: EARC386			
REVISION: 1	TITLE/DESCRIPTION		<i>Flush mounted to floor (no recess required)</i> <i>Overall dimensions and mechanical installation requirement</i>
SCALE: 1:20	FPJ140-2HP MY16		
PAGE 1 OF 1			

THIS DOCUMENT IS AN ALLUSER INDUSTRIE PROPERTY AND IT CANNOT BE COPIED OR TRANSFERRED TO THIRD PARTIES WITHOUT A PREVIOUS WRITTEN AUTHORIZATION. DUE TO OUR POLICY OF CONTINUOUS PRODUCT DEVELOPMENT, ALL DIMENSIONS AND SPECIFICATIONS DESCRIBED IN THIS DOCUMENT ARE SUBJECT TO CHANGE WITHOUT NOTICE.