

NOTE:

GENERAL CONSTRUCTION
TOLERANCE: ± 5 mm [± 0.2"]

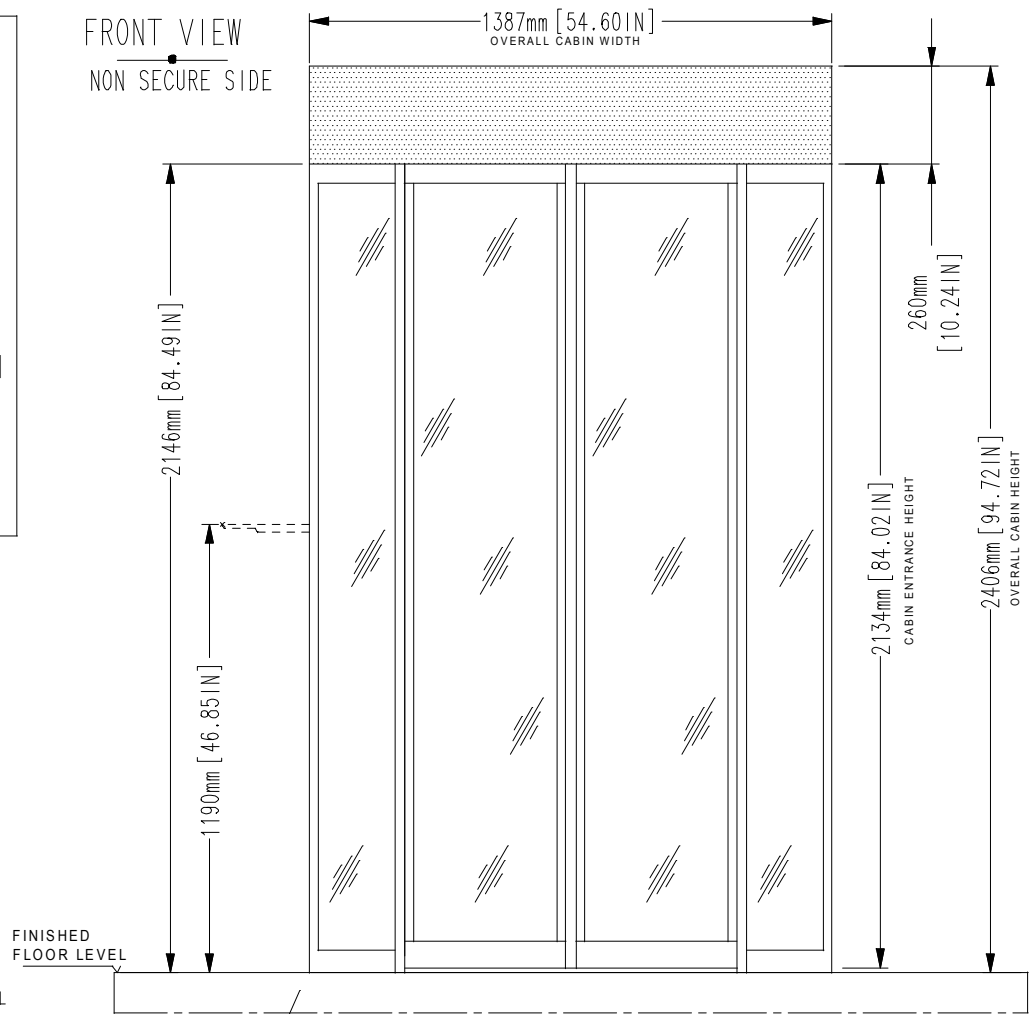
INSTALLATION REQUIREMENT

SPACE FOR MAINTENANCE
ABOVE TOP OF THE CABIN ON
THE INTERNAL SIDE:

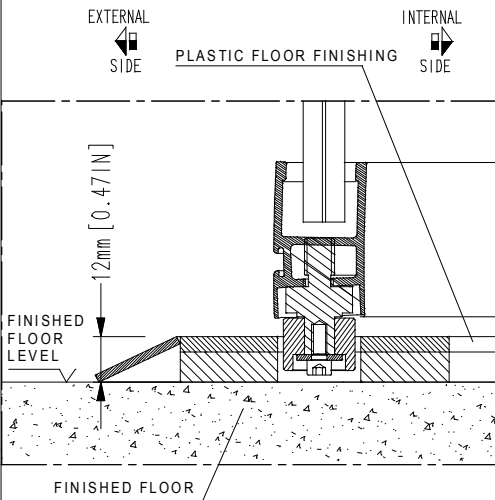
- *MIN. 300 mm [11.81"]
- *RECOMMENDED 750 mm [29.53"]

*if space does not meet the
required specifications contact
us to discuss alternatives

FRONT VIEW
NON SECURE SIDE

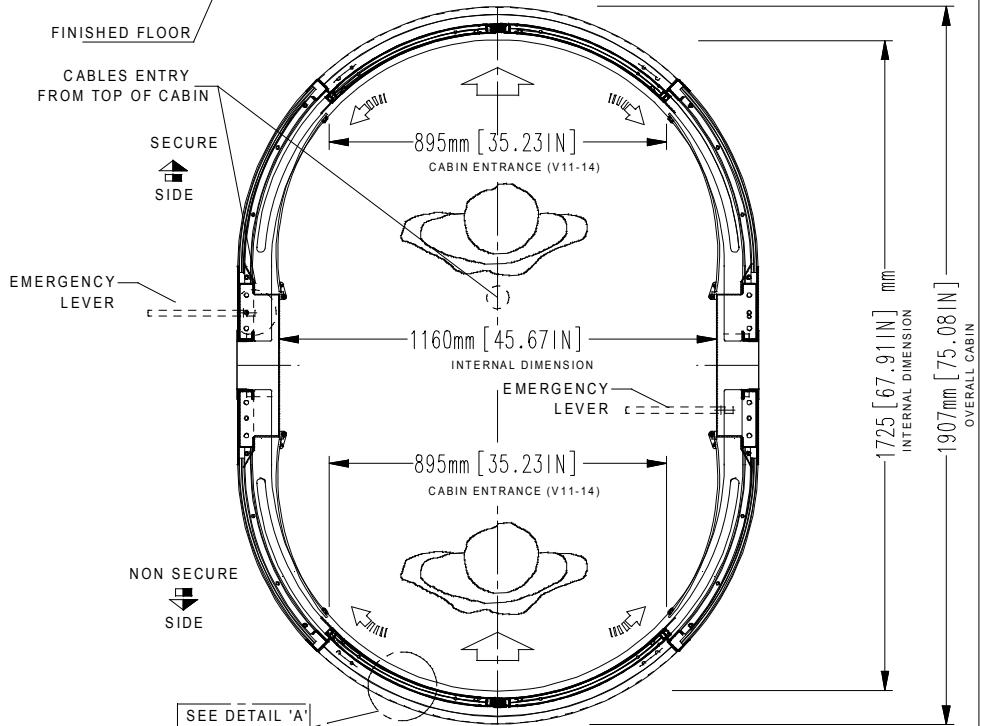


DETAIL 'A'



NOTE:

- unit must be installed on to a level floor (suggested flatness tolerance: ±1 mm)
- coating : brushed stainless steel



1	15/03/2019	CHANGED SCALE	L.BERTAZZO
REV	DATE	REVISION DESCRIPTION	DRAWN BY
DRAWN BY: L.BERTAZZO		DESIGNED AND MANUFACTURED BY: aalluser INDUSTRIE designed for your security	DISTRIBUTED BY:
DATE: 15/03/2019			
DRAWING NUMBER: EARC478			
REVISION: 1	TITLE/DESCRIPTION		<i>Flush mounted to floor (no recess required)</i> <i>Overall dimensions and mechanical installation requirement</i>
SCALE: 1:20	FPJ140-2HP KR MY16 HUC=7F/H TOT=94.72IN		
PAGE 1 OF 1			

THIS DOCUMENT IS AN ALLUSER INDUSTRIE PROPERTY AND IT CANNOT BE COPIED OR TRANSFERRED TO THIRD PARTIES WITHOUT A PREVIOUS WRITTEN AUTHORIZATION. DUE TO OUR POLICY OF CONTINUOUS PRODUCT DEVELOPMENT, ALL DIMENSIONS AND SPECIFICATIONS DESCRIBED IN THIS DOCUMENT ARE SUBJECT TO CHANGE WITHOUT NOTICE.