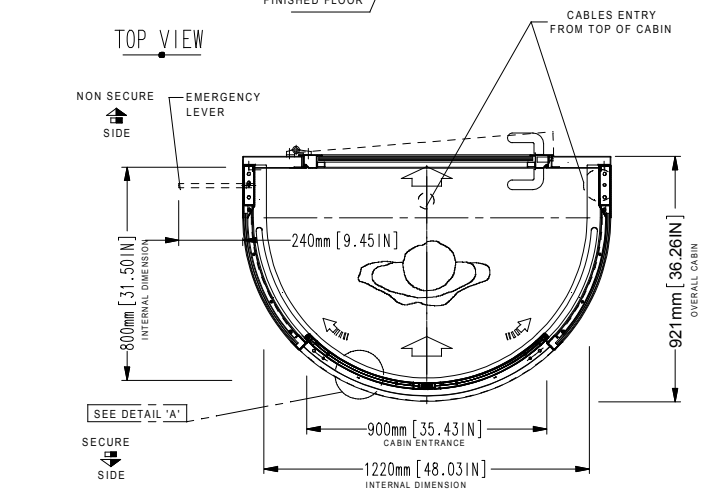
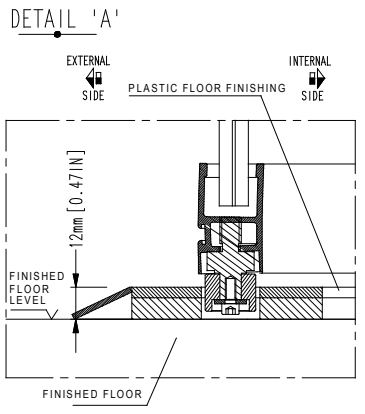
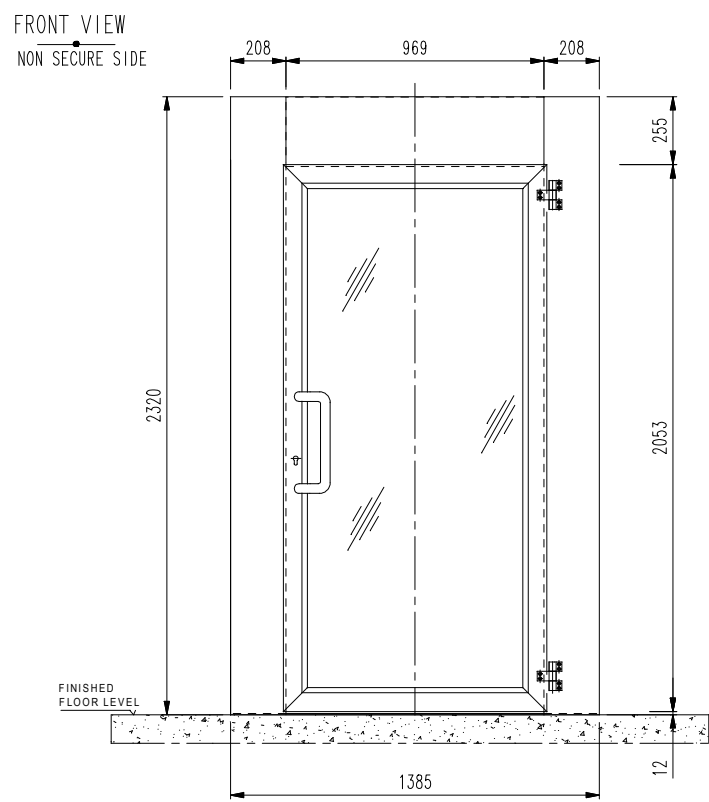
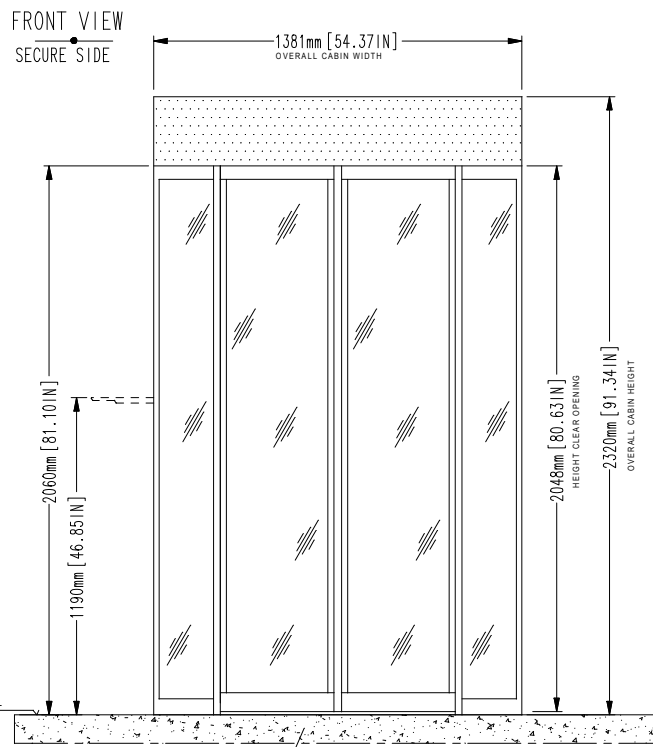


NOTE:
 GENERAL CONSTRUCTION TOLERANCE: ± 5 mm [± 0.2"]
 INSTALLATION REQUIREMENT
 SPACE FOR MAINTENANCE ABOVE TOP OF THE CABIN ON THE INTERNAL SIDE:
 *MIN. 300 mm [11.81"]
 *RECOMMENDED 750 mm [29.53"]
 *if space does not meet the required specifications contact us to discuss alternatives



NOTE:
 - unit must be installed on to a level floor (suggested flatness tolerance: ±1 mm)
 - coating option: 2 mm thickness in addition to size

4	30/06/2017	UPDATED FONT	L.BERTAZZO
3	09/06/2017	TITLE BLOCK MODIFIED	L.BERTAZZO
REV	DATE	REVISION DESCRIPTION	DRAWN BY
REVISION: 4	SCALE: 1:20	TITLE/DESCRIPTION	Flush mounted to floor (no recess required) Overall dimensions and mechanical installation requirement
DRAWN BY: ISABELLA DATE: 25/01/2016 DRAWING NUMBER: EARC330		DESIGNED AND MANUFACTURED BY: aalluser INDUSTRIE designed for your security	DISTRIBUTED BY:
PAGE 1 OF 1		FPJ 140-1A MY16	
THIS DOCUMENT IS AN ALLUSER INDUSTRIE PROPERTY AND IT CANNOT BE COPIED OR TRANSFERRED TO THIRD PARTIES WITHOUT A PREVIOUS WRITTEN AUTHORIZATION. DUE TO OUR POLICY OF CONTINUOUS PRODUCT DEVELOPMENT, ALL DIMENSIONS AND SPECIFICATIONS DESCRIBED IN THIS DOCUMENT ARE SUBJECT TO CHANGE WITHOUT NOTICE.			