

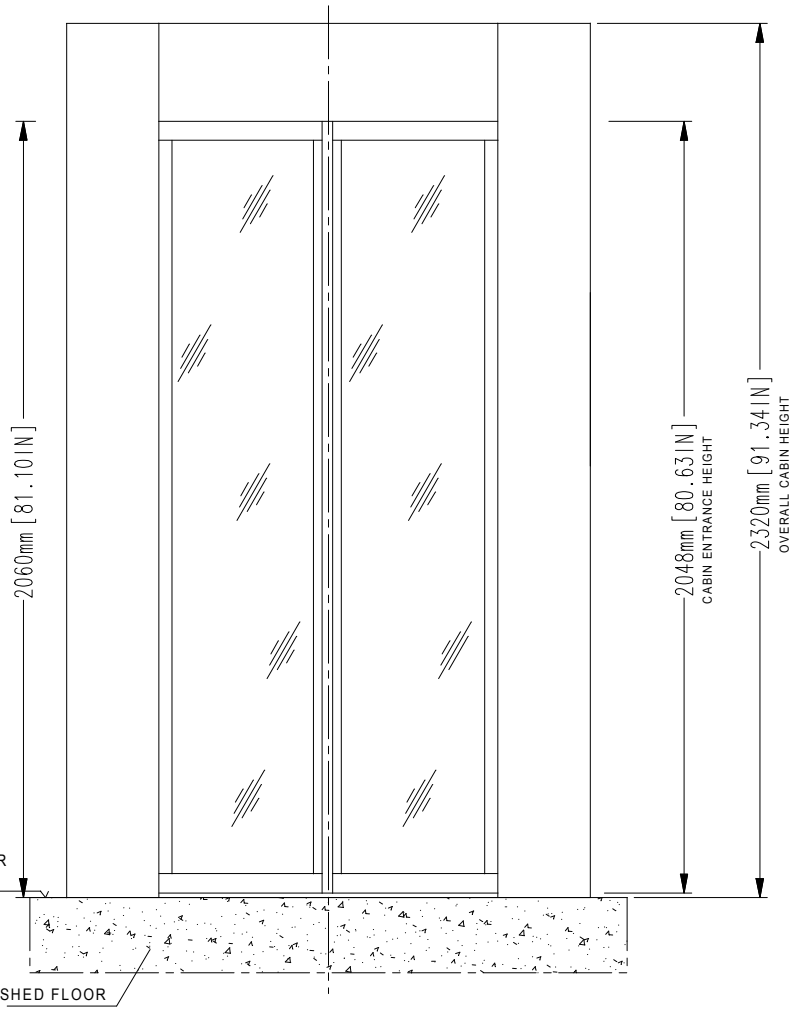
**NOTE:**  
**GENERAL CONSTRUCTION TOLERANCE: ± 5 mm [± 0.2"]**

**INSTALLATION REQUIREMENT**

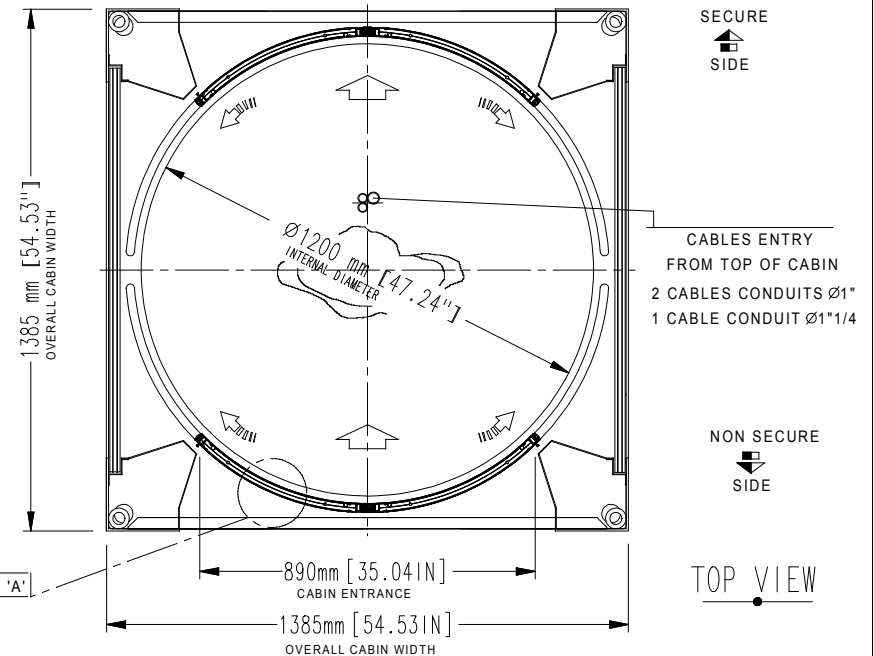
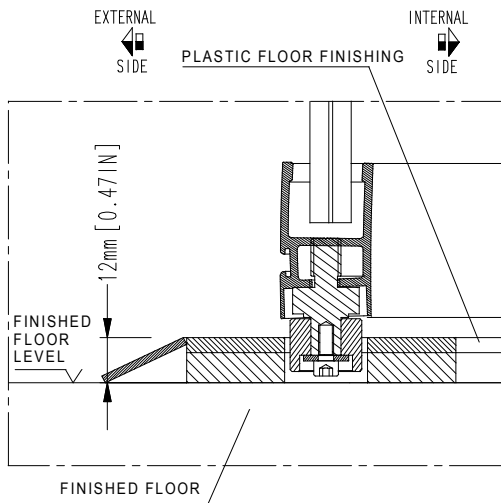
**SPACE FOR MAINTENANCE ABOVE TOP OF THE CABIN ON THE INTERNAL SIDE:**  
 \*MIN. 300 mm [11.81"]  
 \*RECOMMENDED 750 mm [29.53"]

\*if space does not meet the required specifications contact us to discuss alternatives


**FRONT VIEW**  
 NON SECURE SIDE



**DETAIL 'A'**



**NOTE:**  
 - unit must be installed on to a level floor (suggested flatness tolerance: ± 1 mm)  
 - coating option: 2 mm thickness in addition to size

2	30/06/2017	UPDATED FONT	loris
1	09/06/2017	DETAIL A: BASE = 12 MM	loris
REV	DATE	REVISION DESCRIPTION	DRAWN BY
DRAWN BY: ISABELLA		DESIGNED AND MANUFACTURED BY:	DISTRIBUTED BY:
DATE: 25/01/2016		 designed for your security	
DRAWING NUMBER: EARC331			
REVISION: 2	TITLE/DESCRIPTION		<i>Flush mounted to floor (no recess required)</i> <i>Overall dimensions and mechanical installation requirement</i>
SCALE: 1:20	E3R-E3KR MY16/4 DOORS		
PAGE 1 OF 1			

THIS DOCUMENT IS AN ALLUSER INDUSTRIE PROPERTY AND IT CANNOT BE COPIED OR TRANSFERRED TO THIRD PARTIES WITHOUT A PREVIOUS WRITTEN AUTHORIZATION. DUE TO OUR POLICY OF CONTINUOUS PRODUCT DEVELOPMENT, ALL DIMENSIONS AND SPECIFICATIONS DESCRIBED IN THIS DOCUMENT ARE SUBJECT TO CHANGE WITHOUT NOTICE.