

NOTE:

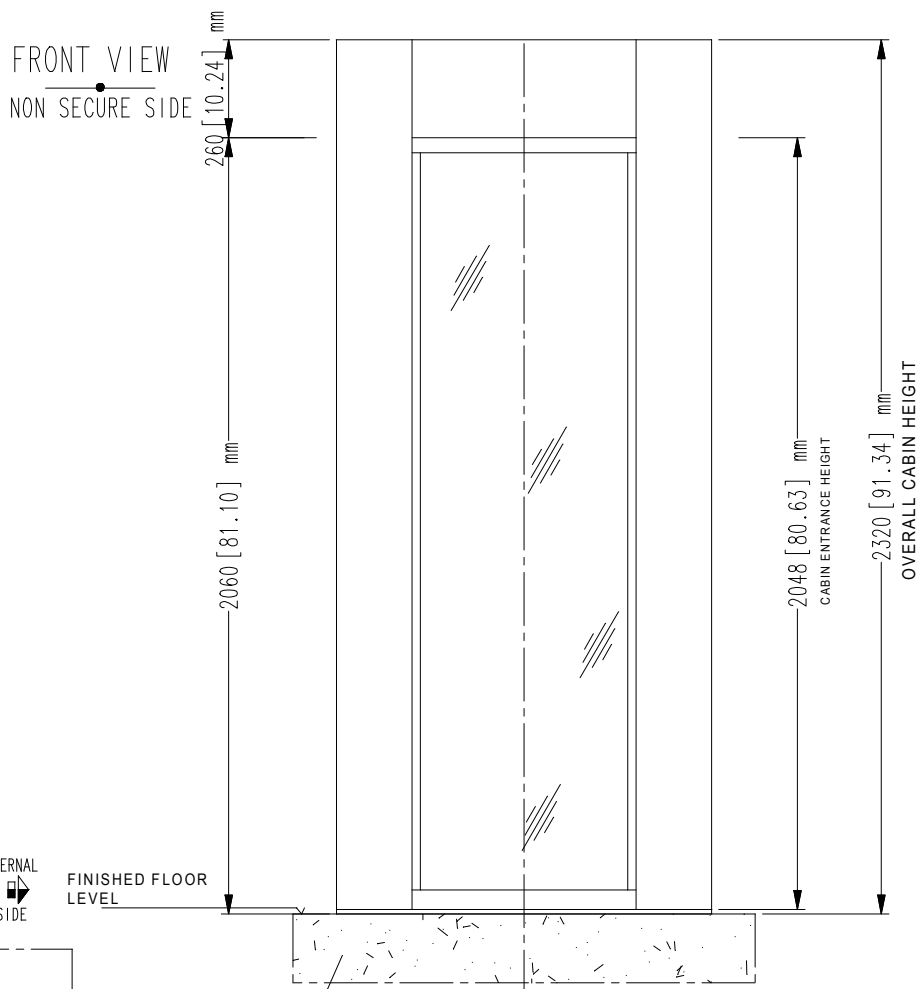
GENERAL CONSTRUCTION TOLERANCE: $\pm 5 \text{ mm}$ [$\pm 0.2''$]

INSTALLATION REQUIREMENT

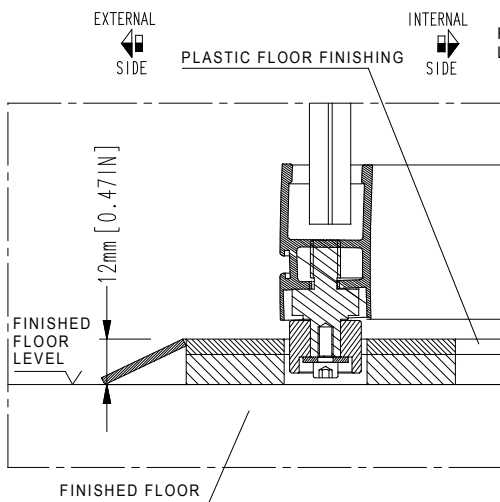
SPACE FOR MAINTENANCE ABOVE TOP OF THE CABIN ON THE INTERNAL SIDE:

- *MIN. 300 mm [11.81"]
- *RECOMMENDED 750 mm [29.53"]

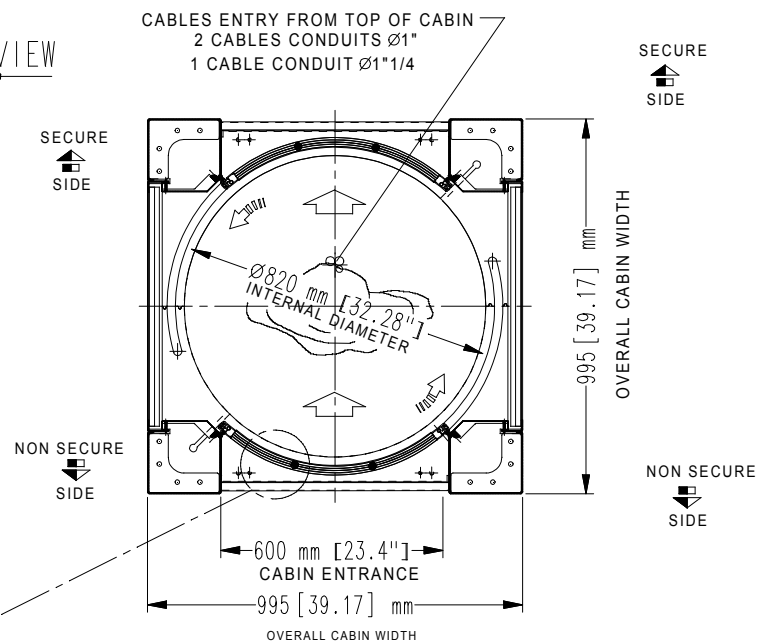
*if space does not meet the required specifications contact us to discuss alternatives



DETAIL 'A'



TOP VIEW



- NOTE:**
- unit must be installed on to a level floor (suggested flatness tolerance: $\pm 1 \text{ mm}$)
 - coating option: 2 mm thickness in addition to size

SEE DETAIL 'A'

5	30/06/2017	UPDATED FONT	L.BERTAZZO
4	09/06/2017	TITLE BLOCK MODIFIED	L.BERTAZZO
REV	DATE	REVISION DESCRIPTION	DRAWN BY
DRAWN BY: ISABELLA		DESIGNED AND MANUFACTURED BY: aalluser INDUSTRIE designed for your security	DISTRIBUTED BY:
DATE: 09/03/2016			
DRAWING NUMBER: EARC349			
REVISION: 5	TITLE/DESCRIPTION		<i>Flush mounted to floor (no recess required)</i> <i>Overall dimensions and mechanical installation requirement</i>
SCALE: 1:20	E1R-E1KR MY16		
PAGE 1 OF 1			

THIS DOCUMENT IS AN ALLUSER INDUSTRIE PROPERTY AND IT CANNOT BE COPIED OR TRANSFERRED TO THIRD PARTIES WITHOUT A PREVIOUS WRITTEN AUTHORIZATION. DUE TO OUR POLICY OF CONTINUOUS PRODUCT DEVELOPMENT, ALL DIMENSIONS AND SPECIFICATIONS DESCRIBED IN THIS DOCUMENT ARE SUBJECT TO CHANGE WITHOUT NOTICE.