

**NOTE:**

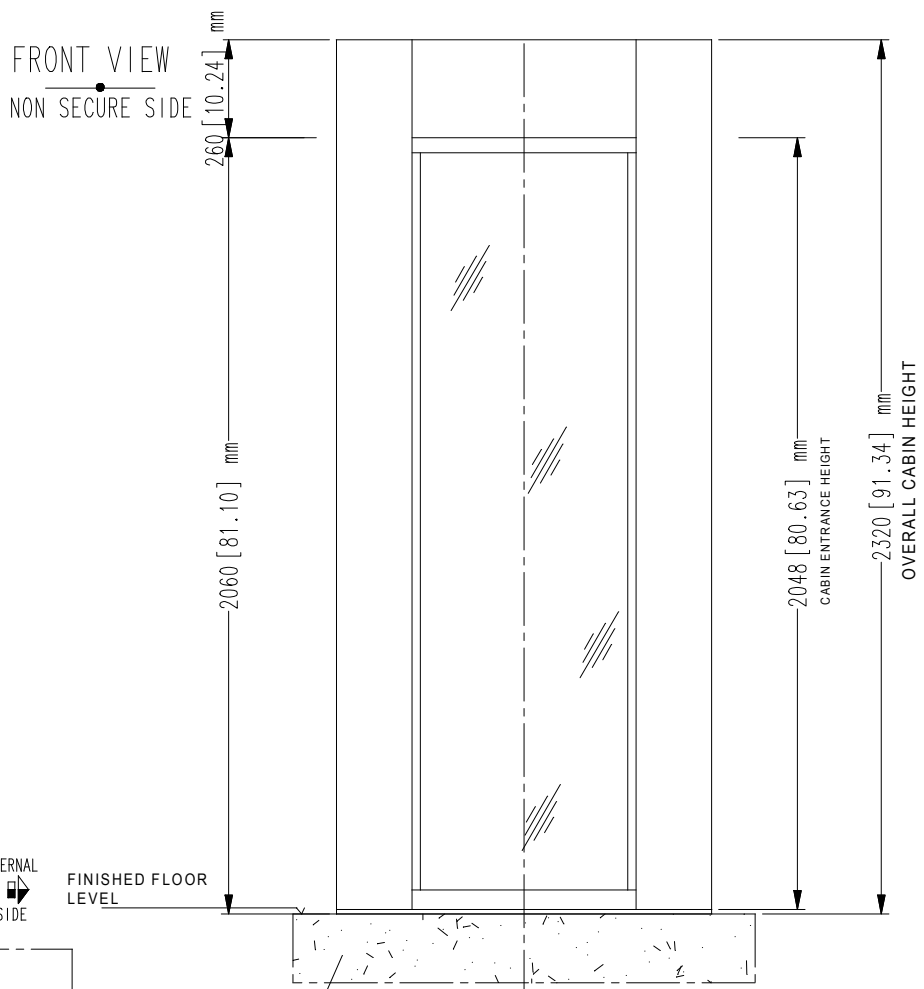
GENERAL CONSTRUCTION TOLERANCE:  $\pm 5 \text{ mm}$  [ $\pm 0.2''$ ]

**INSTALLATION REQUIREMENT**

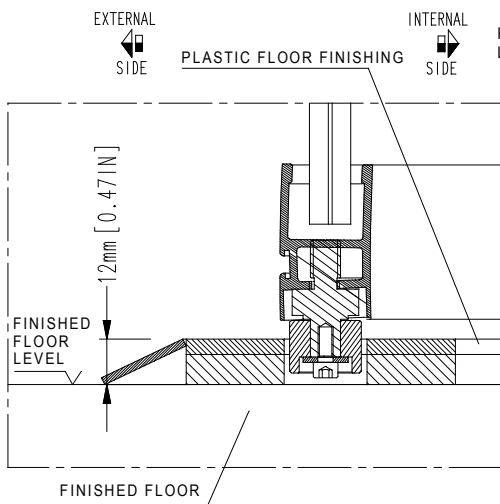
SPACE FOR MAINTENANCE ABOVE TOP OF THE CABIN ON THE INTERNAL SIDE:

- \*MIN. 300 mm [11.81"]
- \*RECOMMENDED 750 mm [29.53"]

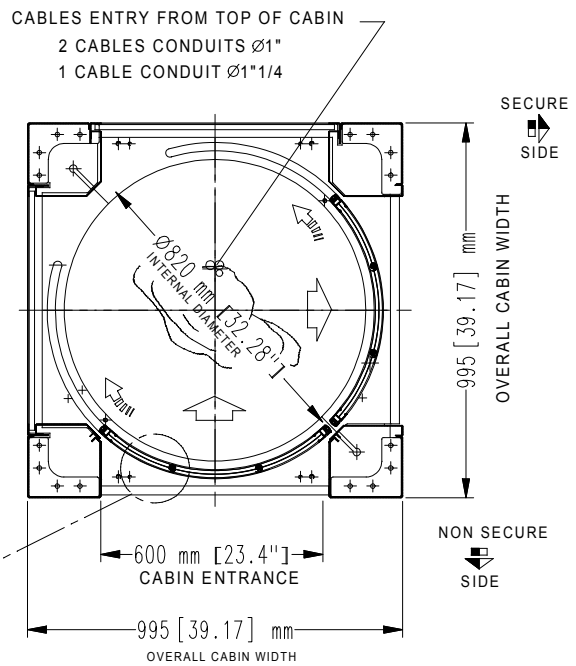
\*if space does not meet the required specifications contact us to discuss alternatives



**DETAIL 'A'**




**TOP VIEW**



**NOTE:**

- unit must be installed on to a level floor (suggested flatness tolerance:  $\pm 1 \text{ mm}$ )
- coating option: 2 mm thickness in addition to size

SEE DETAIL 'A'

2	30/06/2017	UPDATED FONT	L.BERTAZZO
1	09/06/2017	TITLE BLOCK MODIFIED	L.BERTAZZO
REV	DATE	REVISION DESCRIPTION	DRAWN BY
DRAWN BY: ISABELLA		DESIGNED AND MANUFACTURED BY:	DISTRIBUTED BY:
DATE: 28/04/2017		 <p>designed for your security</p>	
DRAWING NUMBER: EARC380			
REVISION: 2	TITLE/DESCRIPTION		<i>Flush mounted to floor (no recess required)</i> <i>Overall dimensions and mechanical installation requirement</i>
SCALE: 1:20	E1R-E1KR MY16/EN.DIRECTION 90 RIGHT		
PAGE 1 OF 1			

THIS DOCUMENT IS AN ALLUSER INDUSTRIE PROPERTY AND IT CANNOT BE COPIED OR TRANSFERRED TO THIRD PARTIES WITHOUT A PREVIOUS WRITTEN AUTHORIZATION. DUE TO OUR POLICY OF CONTINUOUS PRODUCT DEVELOPMENT, ALL DIMENSIONS AND SPECIFICATIONS DESCRIBED IN THIS DOCUMENT ARE SUBJECT TO CHANGE WITHOUT NOTICE.