

NOTE:
CONSTRUCTION TOLERANCES:

+ 10 mm OVERALL FOR WIDTH

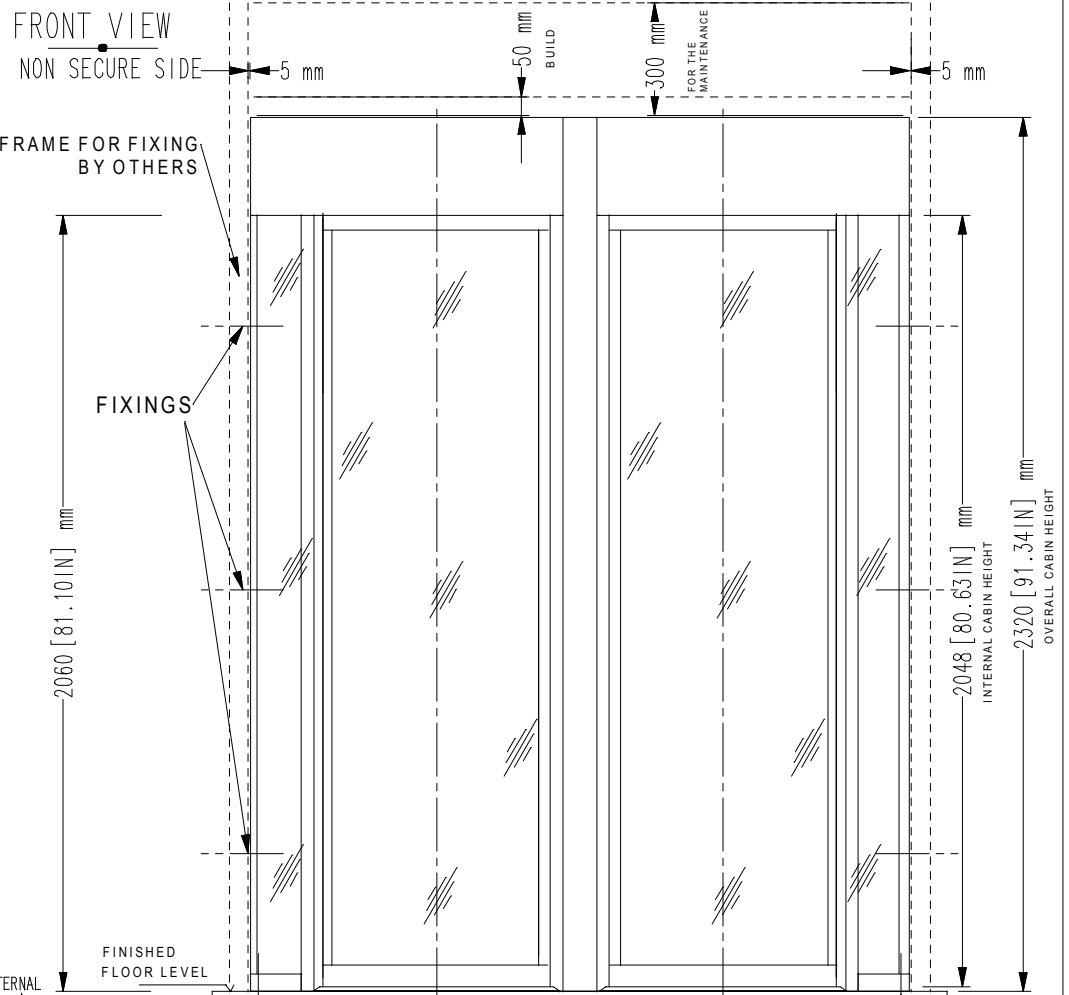
+ 50 mm HEIGHT

INSTALLATION REQUIREMENT

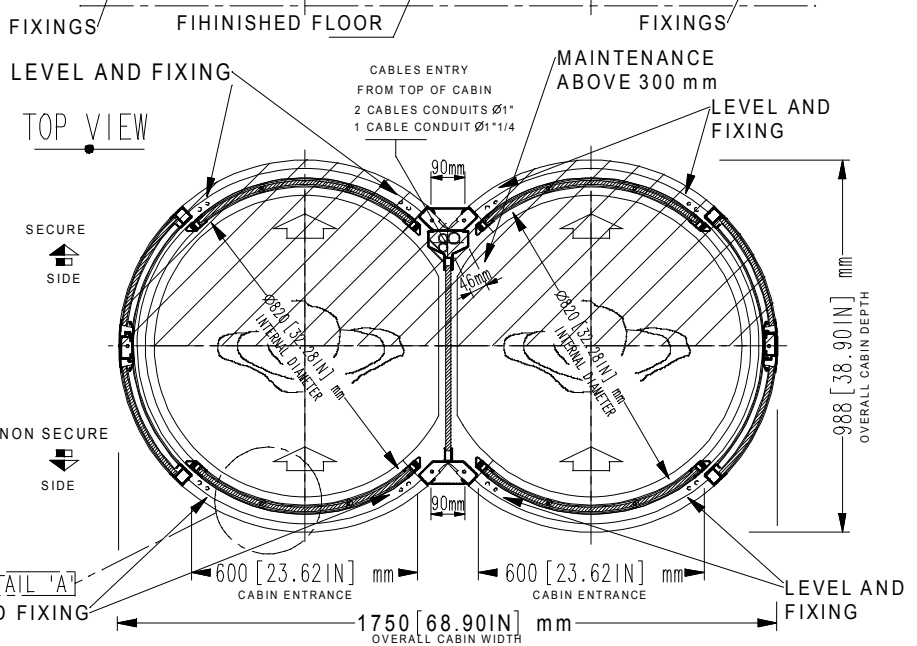
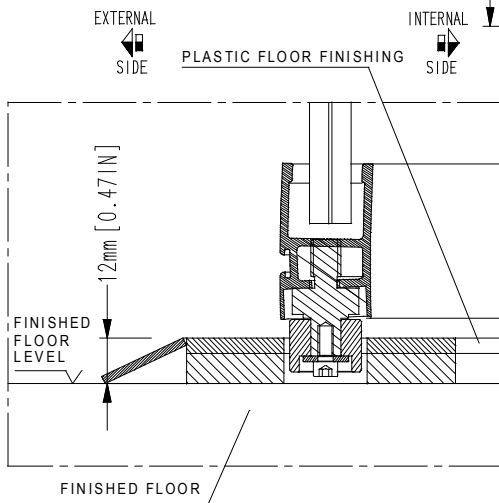
SPACE FOR MAINTENANCE
ABOVE TOP OF THE CABIN ON
THE INTERNAL SIDE:

*MIN. 300 mm [11.81"]
*RECOMMENDED 750 mm [29.53"]


*if space does not meet the required
specifications
contact us to discuss alternatives
*unit must be fixed into suitable frame
and finished by others



DETAIL 'A'



NOTE:
- unit must be installed on to a level floor
(suggested flatness tolerance: ±1 mm)
- coating option: 2 mm thickness in
addition to size

8	14/02/2019	DEPTH AMENDED	ISABELLA
7	30/06/2017	UPDATED FONT	L.BERTAZZO
6	09/06/2017	TITLE BLOCK MODIFIED	L.BERTAZZO
REV	DATE	REVISION DESCRIPTION	DRAWN BY
DRAWN BY: ISABELLA		DESIGNED AND MANUFACTURED BY:	DISTRIBUTED BY:
DATE: 14/11/2014		 designed for your security	
DRAWING NUMBER: EARC284			
REVISION: 8		TITLE/DESCRIPTION	
SCALE: 1:20		C4R-C4KR MY16/FIXING	Flush mounted to floor (no recess required)
PAGE 1 OF 1			Overall dimensions and mechanical installation requirement

THIS DOCUMENT IS AN ALLUSER INDUSTRIE PROPERTY AND IT CANNOT BE COPIED OR TRANSFERRED TO THIRD PARTIES WITHOUT A PREVIOUS WRITTEN AUTHORIZATION. DUE TO OUR POLICY OF CONTINUOUS PRODUCT DEVELOPMENT, ALL DIMENSIONS AND SPECIFICATIONS DESCRIBED IN THIS DOCUMENT ARE SUBJECT TO CHANGE WITHOUT NOTICE.