

NOTE:

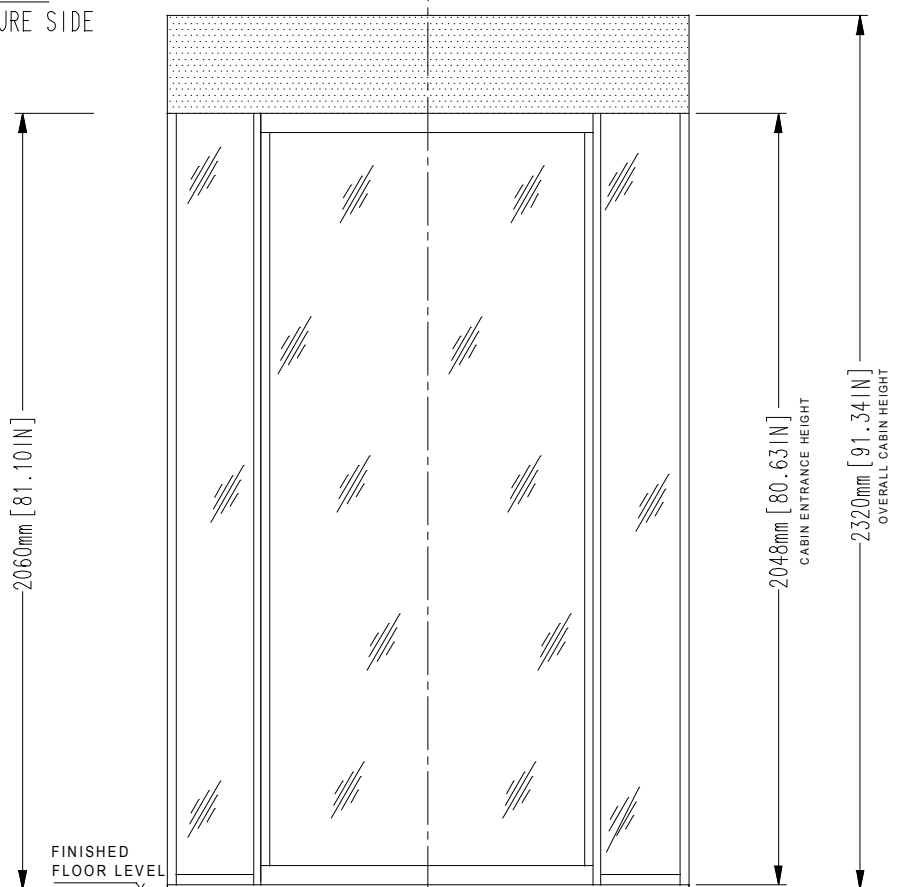
GENERAL CONSTRUCTION
TOLERANCE: ± 5 mm [± 0.2"]

INSTALLATION REQUIREMENT

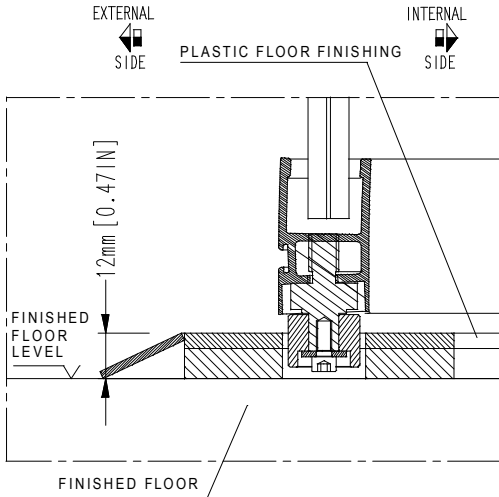
SPACE FOR MAINTENANCE
ABOVE TOP OF THE CABIN ON
THE INTERNAL SIDE:
*MIN. 300 mm [11.81"]
*RECOMMENDED 750 mm [29.53"]

*if space does not meet the
required specifications contact
us to discuss alternatives

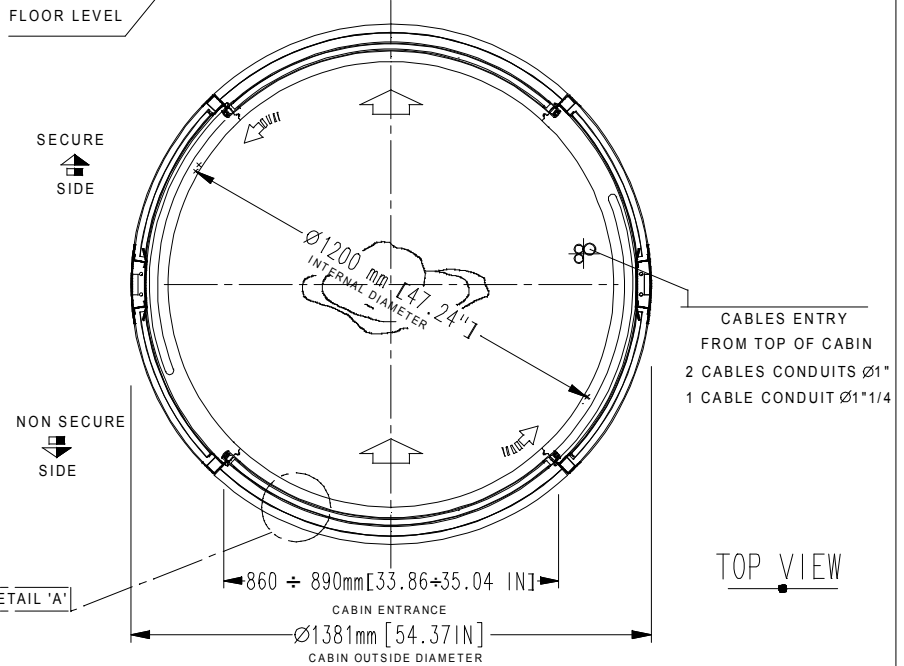
FRONT VIEW
NON SECURE SIDE



DETAIL 'A'



NOTE:
- unit must be installed on to a level floor
(suggested flatness tolerance: ±1 mm)
- coating option: 2 mm thickness in
addition to size



REV	DATE	REVISION DESCRIPTION	DRAWN BY
3	14/02/2019	UPDATED CABIN ENTRANCE QUOTE	L.BERTAZZO
2	20/06/2018	UPDATED FONT	L.BERTAZZO
1	09/06/2017	TITLE BLOCK MODIFIED	L.BERTAZZO
REV	DATE	REVISION DESCRIPTION	DRAWN BY
DRAWN BY: ISABELLA		DESIGNED AND MANUFACTURED BY:	DISTRIBUTED BY:
DATE: 25/11/2016		 designed for your security	
DRAWING NUMBER: EARC363			
REVISION: 3	TITLE/DESCRIPTION		Flush mounted to floor (no recess required) Overall dimensions and mechanical installation requirement
SCALE: 1:20	C3R-C3KR MY16/2 DOORS		
PAGE 1 OF 1			

THIS DOCUMENT IS AN ALLUSER INDUSTRIE PROPERTY AND IT CANNOT BE COPIED OR TRANSFERRED TO THIRD PARTIES WITHOUT A PREVIOUS WRITTEN AUTHORIZATION. DUE TO OUR POLICY OF CONTINUOUS PRODUCT DEVELOPMENT, ALL DIMENSIONS AND SPECIFICATIONS DESCRIBED IN THIS DOCUMENT ARE SUBJECT TO CHANGE WITHOUT NOTICE.