

**NOTE:**

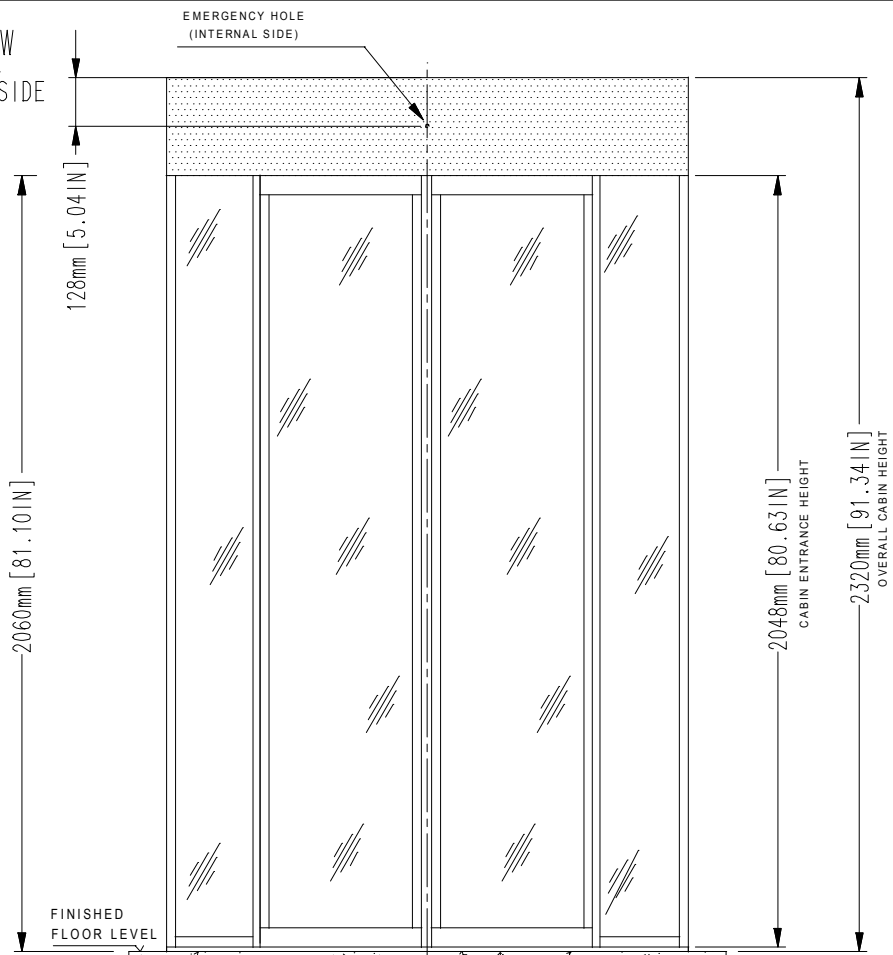
GENERAL CONSTRUCTION TOLERANCE:  $\pm 5 \text{ mm}$  [ $\pm 0.2"$ ]

INSTALLATION REQUIREMENT

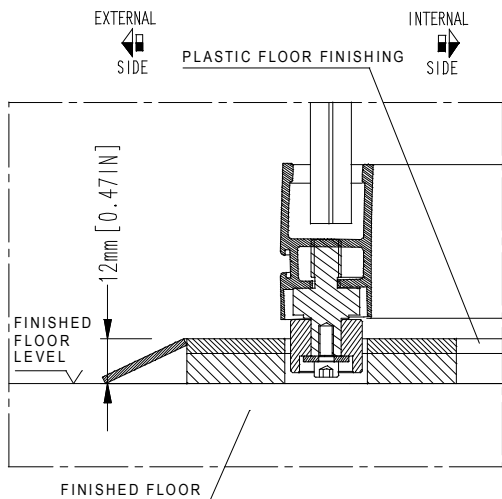
SPACE FOR MAINTENANCE ABOVE TOP OF THE CABIN ON THE INTERNAL SIDE:  
 \*MIN. 300 mm [11.81"]  
 \*RECOMMENDED 750 mm [29.53"]

\*if space does not meet the required specifications contact us to discuss alternatives

FRONT VIEW  
NON SECURE SIDE

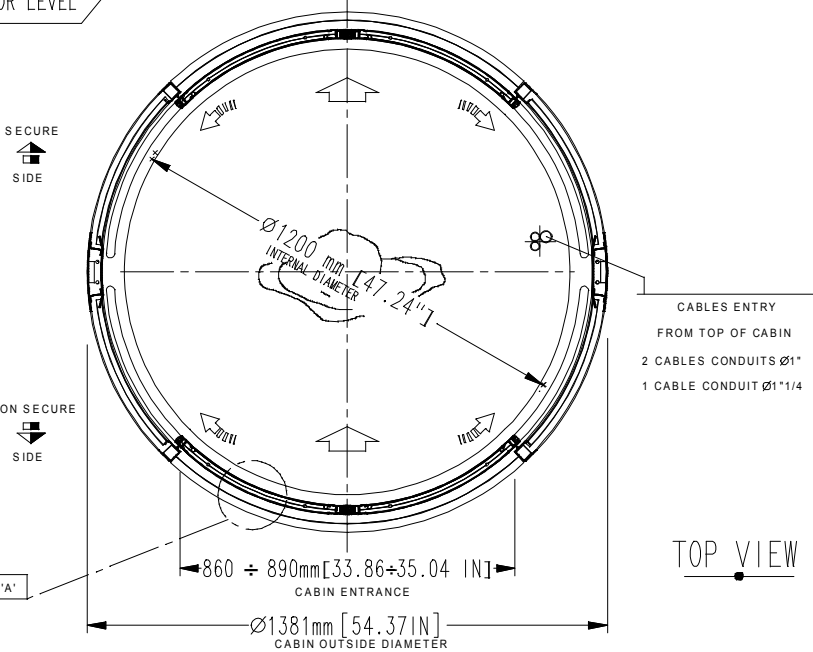


DETAIL 'A'



**NOTE:**

- unit must be installed on to a level floor (suggested flatness tolerance:  $\pm 1 \text{ mm}$ )
- coating option: 2 mm thickness in addition to size



4	14/02/2019	UPDATED CABIN ENTRANCE QUOTE	L.BERTAZZO
3	20/06/2018	UPDATED FONT	L.BERTAZZO
2	09/06/2017	TITLE BLOCK MODIFIED	L.BERTAZZO
REV	DATE	REVISION DESCRIPTION	DRAWN BY
DRAWN BY: ISABELLA		DESIGNED AND MANUFACTURED BY: <b>aalluser</b> INDUSTRIE designed for your security	DISTRIBUTED BY:
DATE: 22/01/2016			
DRAWING NUMBER: EARC313			
REVISION: 4		TITLE/DESCRIPTION <b>C3R-C3KR MY16/4 DOORS</b>	<i>Flush mounted to floor (no recess required)</i> <i>Overall dimensions and mechanical installation requirement</i>
SCALE: 1:20			
PAGE 1 OF 1			

THIS DOCUMENT IS AN ALLUSER INDUSTRIE PROPERTY AND IT CANNOT BE COPIED OR TRANSFERRED TO THIRD PARTIES WITHOUT A PREVIOUS WRITTEN AUTHORIZATION. DUE TO OUR POLICY OF CONTINUOUS PRODUCT DEVELOPMENT, ALL DIMENSIONS AND SPECIFICATIONS DESCRIBED IN THIS DOCUMENT ARE SUBJECT TO CHANGE WITHOUT NOTICE.