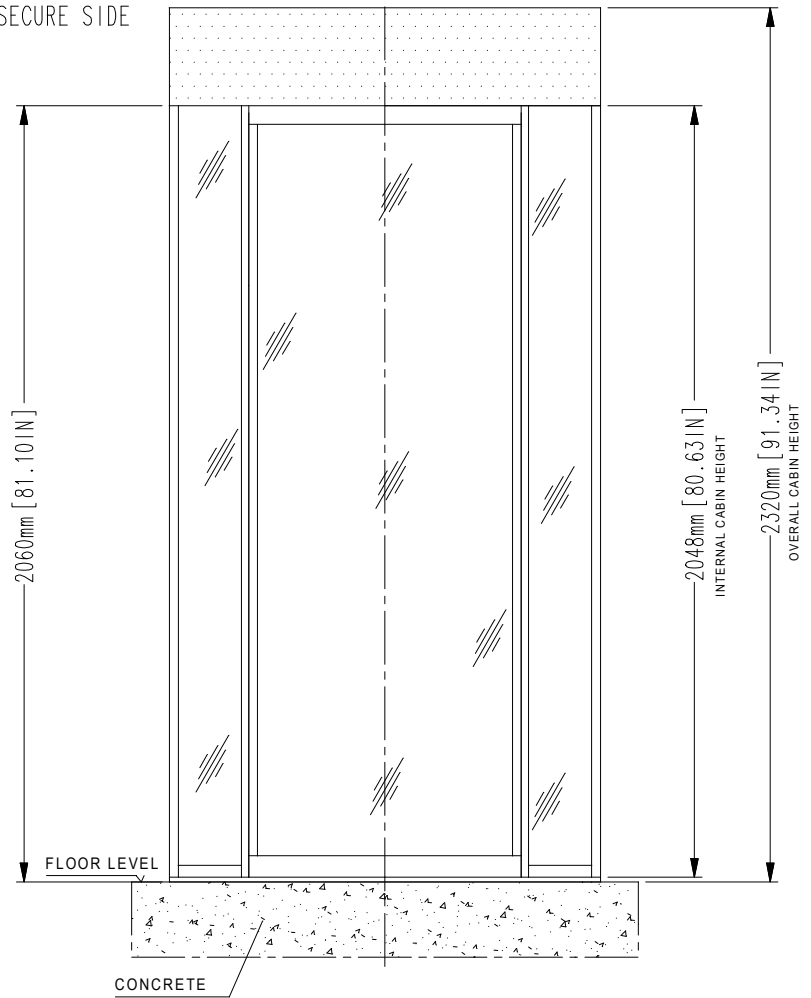
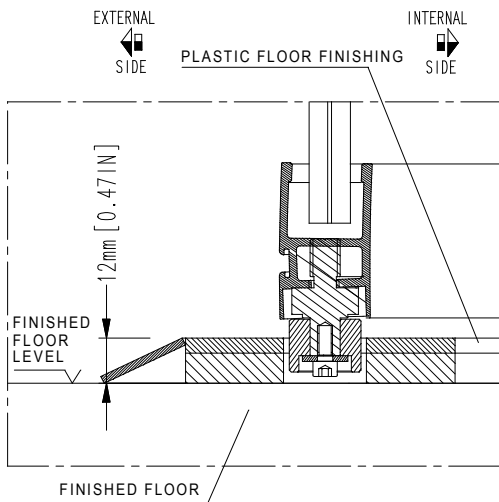


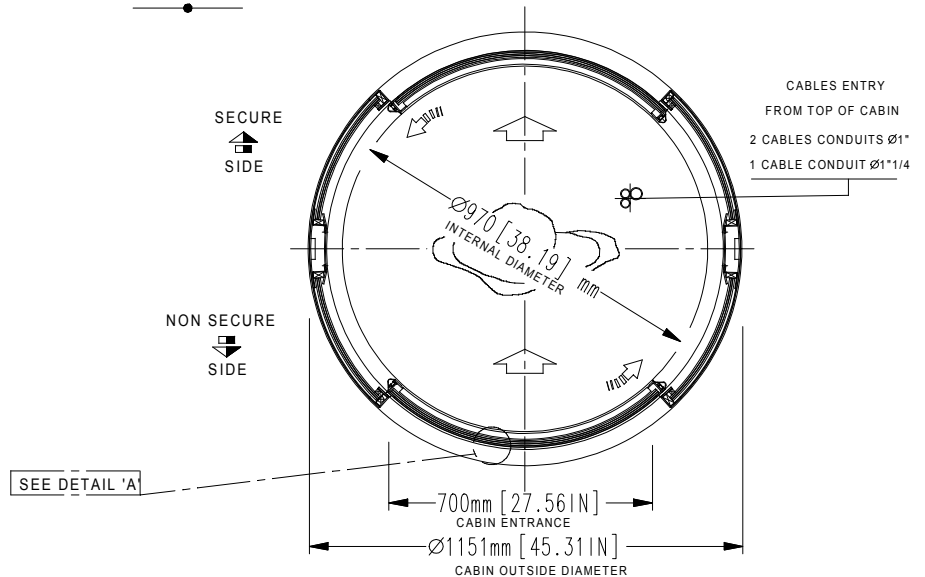
FRONT VIEW
NON SECURE SIDE



DETAIL 'A'



TOP VIEW



NOTE:
- unit must be installed on to a level floor (suggested flatness tolerance: ±1 mm)
- coating option: 2 mm thickness in addition to size

2	30/06/2017	UPDATED FONT	L.BERTAZZO
1	09/06/2017	TITLE BLOCK MODIFIED	L.BERTAZZO
REV	DATE	REVISION DESCRIPTION	DRAWN BY
DRAWN BY: ISABELLA		DESIGNED AND MANUFACTURED BY: aalluser INDUSTRIE designed for your security	DISTRIBUTED BY:
DATE: 27/05/2016			
DRAWING NUMBER: EARC356			
REVISION: 2	TITLE/DESCRIPTION		Flush mounted to floor (no recess required) Overall dimensions and mechanical installation requirement
SCALE: 1:20	C2R-C2KR MY16		
PAGE 1 OF 1			

THIS DOCUMENT IS AN ALLUSER INDUSTRIE PROPERTY AND IT CANNOT BE COPIED OR TRANSFERRED TO THIRD PARTIES WITHOUT A PREVIOUS WRITTEN AUTHORIZATION. DUE TO OUR POLICY OF CONTINUOUS PRODUCT DEVELOPMENT, ALL DIMENSIONS AND SPECIFICATIONS DESCRIBED IN THIS DOCUMENT ARE SUBJECT TO CHANGE WITHOUT NOTICE.