

NOTE:

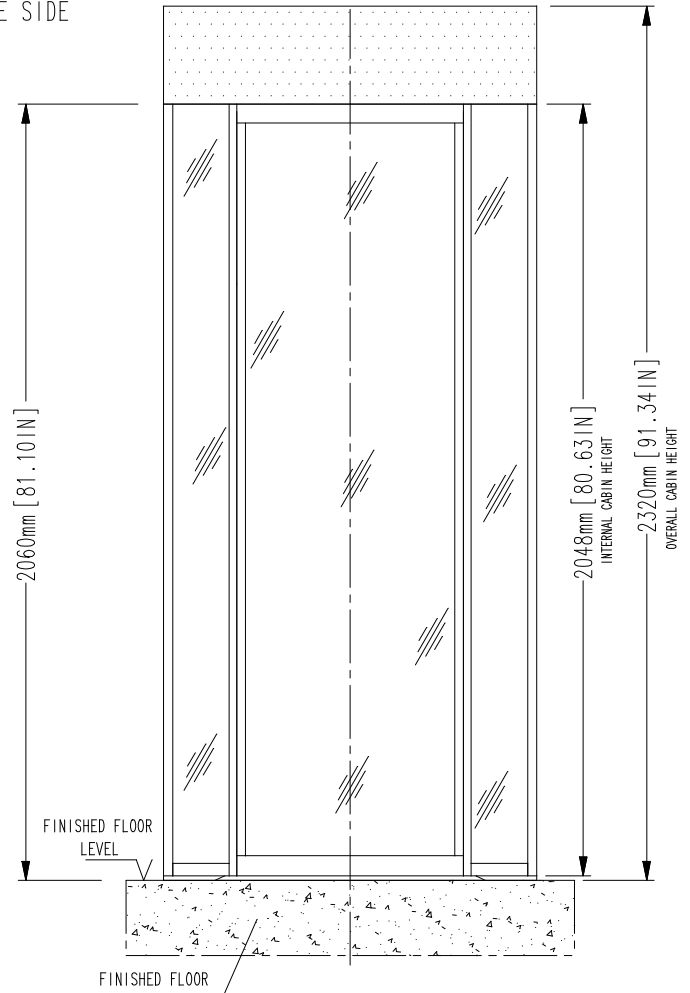
GENERAL CONSTRUCTION
TOLERANCE: ± 5 mm [± 0.2"]

INSTALLATION REQUIREMENT

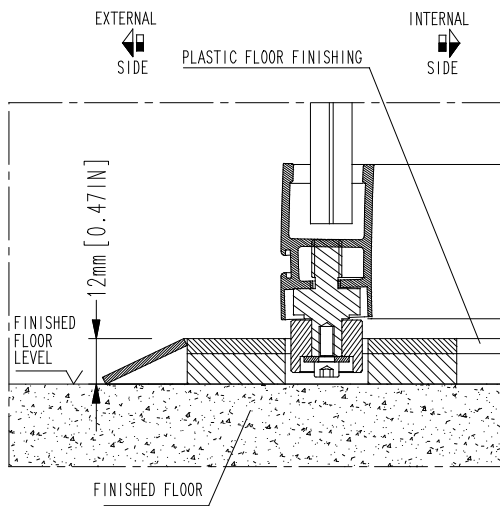
SPACE FOR MAINTENANCE
ABOVE TOP OF THE CABIN ON
THE INTERNAL SIDE:
*MIN. 300 mm [11.81"]
*RECOMMENDED 750 mm [29.53"]

*if space does not meet the
required specifications contact
us to discuss alternatives

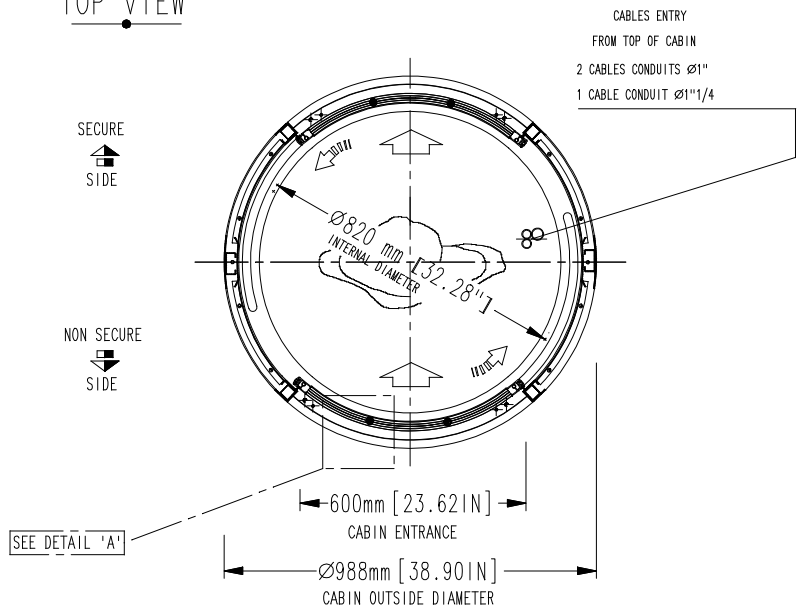
FRONT VIEW
NON SECURE SIDE



DETAIL 'A'



TOP VIEW



NOTE:

- unit must be installed on to a level floor (suggested flatness tolerance: ±1 mm)
- coating option: 2 mm thickness in addition to size

2	09/06/2017	TITLE BLOCK MODIFIED	ISABELLA
REV	DATE	REVISION DESCRIPTION	DRAWN BY
DRAWN BY: ISABELLA			via dell'Industria, 18 - 35020 Due Carrare (Padova)
DATE: 11/09/2015			tel +39 049 9115211 / +39 049 9115365 - fax +39 049 5290223
DRAWING NUMBER: EARC312			www.alluserindustrie.com alluser@alluserindustrie.com
REVISION: 2			
SCALE: 1:20		TITLE/DESCRIPTION	Flush mounted to floor (no recess required)
PAGE 1 OF 1		C1R-C1KR MY16	Overall dimensions and mechanical installation requirement

THIS DOCUMENT IS AN ALLUSER INDUSTRIE PROPERTY AND IT CANNOT BE COPIED OR TRANSFERRED TO THIRD PARTIES WITHOUT A PREVIOUS WRITTEN AUTHORIZATION. DUE TO OUR POLICY OF CONTINUOUS PRODUCT DEVELOPMENT, ALL DIMENSIONS AND SPECIFICATIONS DESCRIBED IN THIS DOCUMENT ARE SUBJECT TO CHANGE WITHOUT NOTICE.