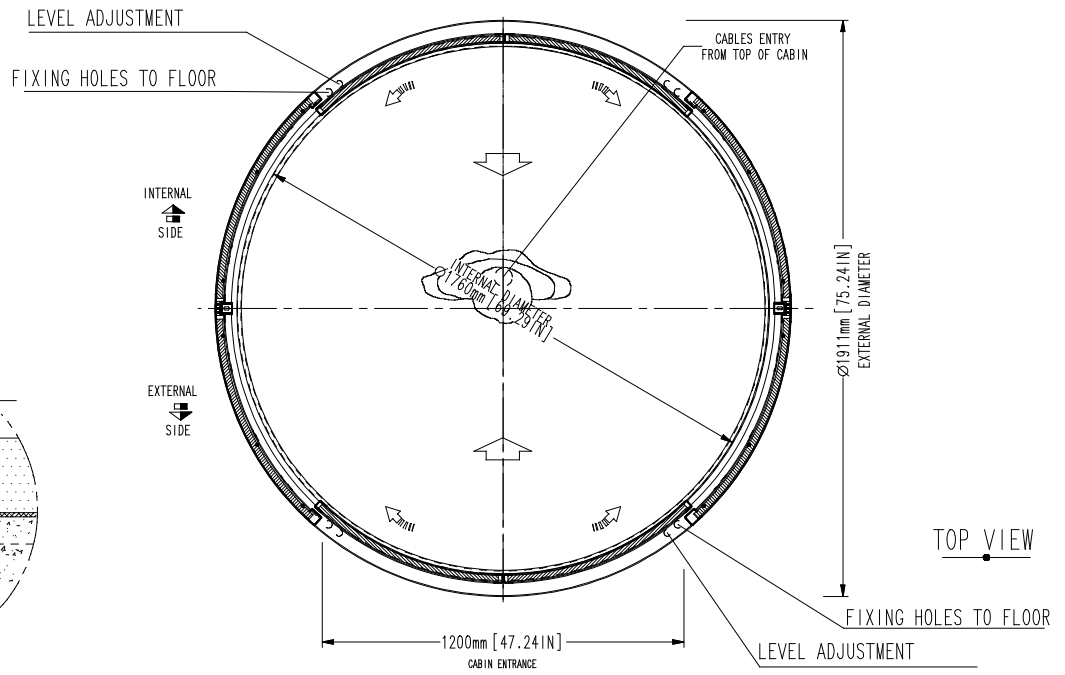
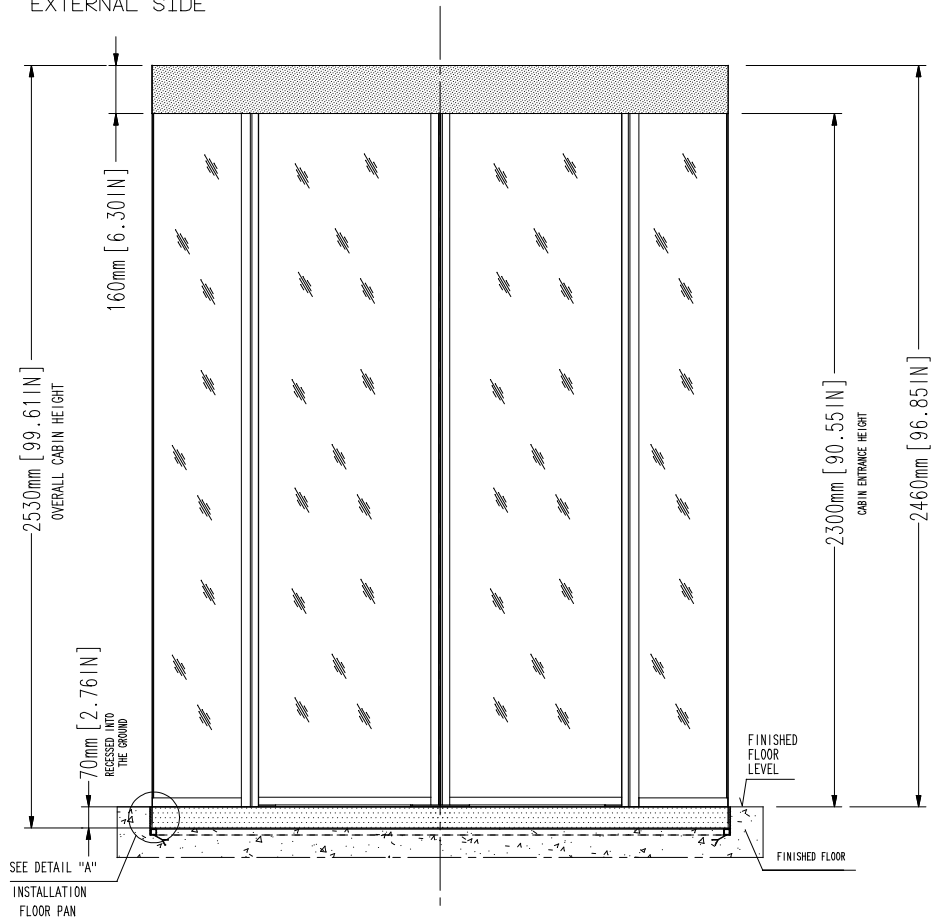
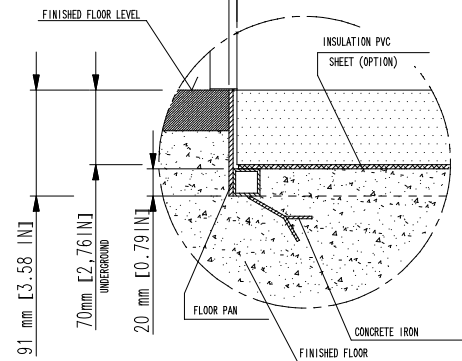


NOTE:
 GENERAL CONSTRUCTION
 TOLERANCE: $\pm 5 \text{ mm}$ [± 0.2 "]
 INSTALLATION REQUIREMENT
 SPACE FOR MAINTENANCE
 ABOVE TOP OF THE CABIN ON
 THE INTERNAL SIDE:
 *MIN. 300 mm [11.81"]
 *RECOMMENDED 750 mm [29.53"]
 *if space does not meet the
 required specifications contact
 us to discuss alternatives

FRONTAL VIEW
 EXTERNAL SIDE



DETAIL "A"
 FLOOR PAN DETAIL



1	29/05/2018	PORTATA BASE DA 55 A 70 (BASE FROM 55 TO 70)	L.BERTAZZO
REV	DATE	REVISION DESCRIPTION	DRAWN BY
DRAWN BY: L.BERTAZZO		DESIGNED AND MANUFACTURED BY: aalluser INDUSTRIE designed for your security	DISTRIBUTED BY:
DATE: 13/04/2018			
DRAWING NUMBER: EARC420		TITLE/DESCRIPTION C190 MY18 ENTRANCE=1200 MM	<i>Cabin recessed into the floor (ramp or floor pan required)</i> <i>Overall dimensions and mechanical installation requirement</i>
REVISION: 1			
SCALE: 1:25			
PAGE 1 OF 1			

THIS DOCUMENT IS AN ALLUSER INDUSTRIE PROPERTY AND IT CANNOT BE COPIED OR TRANSFERRED TO THIRD PARTIES WITHOUT A PREVIOUS WRITTEN AUTHORIZATION. DUE TO OUR POLICY OF CONTINUOUS PRODUCT DEVELOPMENT, ALL DIMENSIONS AND SPECIFICATIONS DESCRIBED IN THIS DOCUMENT ARE SUBJECT TO CHANGE WITHOUT NOTICE.